

EXPORT CONTROL STATEMENT:
 PUBLIC DISCLOSURE OF ANY INFORMATION TO FOREIGN PERSON, WHETHER IN THE UNITED STATES OR ABROAD, MARKED AS INDICATED ABOVE MAY BE PROHIBITED BY THE TRADE SECRETS ACT (18 U.S.C. SEC 1905), THE ECONOMIC ESPIONAGE ACT OF 1996 (18 U.S.C. 1831 ET SEQ.), AND INTERNATIONAL TRAFFIC IN ARMS REGULATIONS (ITAR). THIS DOCUMENT IS NOT TO BE MADE AVAILABLE WITHOUT PRIOR EXPRESS WRITTEN PERMISSION OF PIC WIRE & CABLE.

REVISION HISTORY

REV	DESCRIPTION	DATE	APPROVED
0	Initial Release	04/30/19	M. TAUBENHEIM

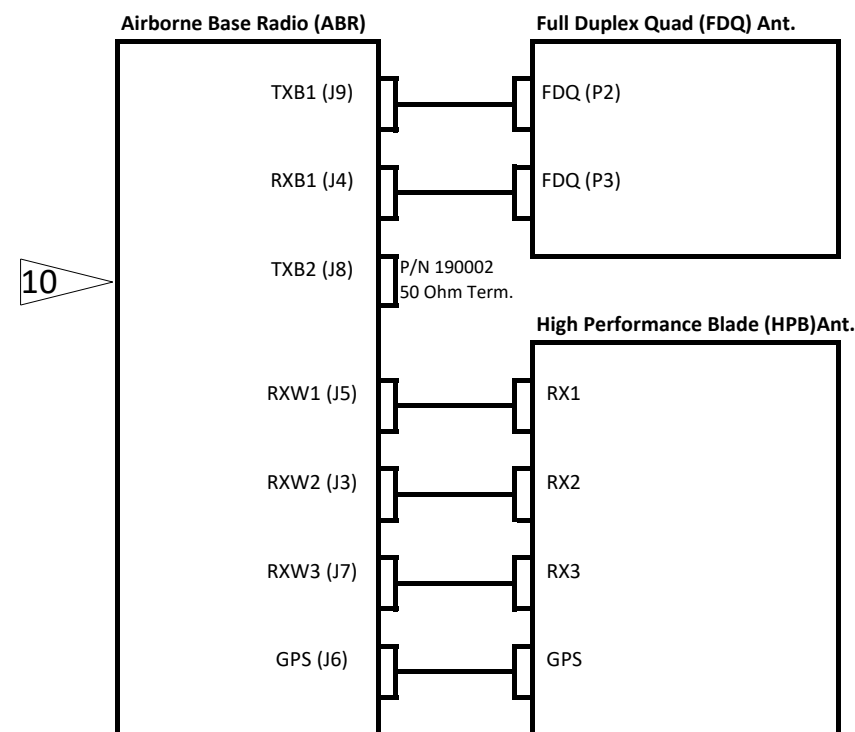
Notes

- All assembly work to be performed according to PIC assembly manual A-10 unless otherwise noted.
- Soldering to be performed according to IPC-J-STD-001, as applicable.
- Workmanship to be performed according to IPC-A-620.
- Include appropriate test documentation with each shipment.
- To order, specify part number. "A", "B", "C", and "DDDD" in 34618-ABCDDDD are as follows:
 "A" value determines assembly application.
 "B" value determines cable part number.
 "C" value determines connector configuration.
 "D" value determines assembly length in inches.
 See sheet 3 for specific information.
- All labels are per AMS-DTL-23053/5. Cover all labels with clear shrink tube.
- Label text on line one to be assembly part number. For line two text, refer to "Cable Labelling / Color Coding Information" table on sheet 3. XXXXX on label = PIC WIRE & CABLE serial number.
- Apply color bands over cable at each end, as close to connector ATUM heat shrink as possible. Colors are determined by "A" value and can be found in "Cable Labelling / Color Coding Information" table on sheet 3. Apply End A & B label next to color band heat shrink.
- Test Requirements:
 For "A" value = 1, ABR to FDQ(Tx):
 Test from 2.4 to 2.6 GHz
 Loss: 3.0 dB max @ 2.483 GHz

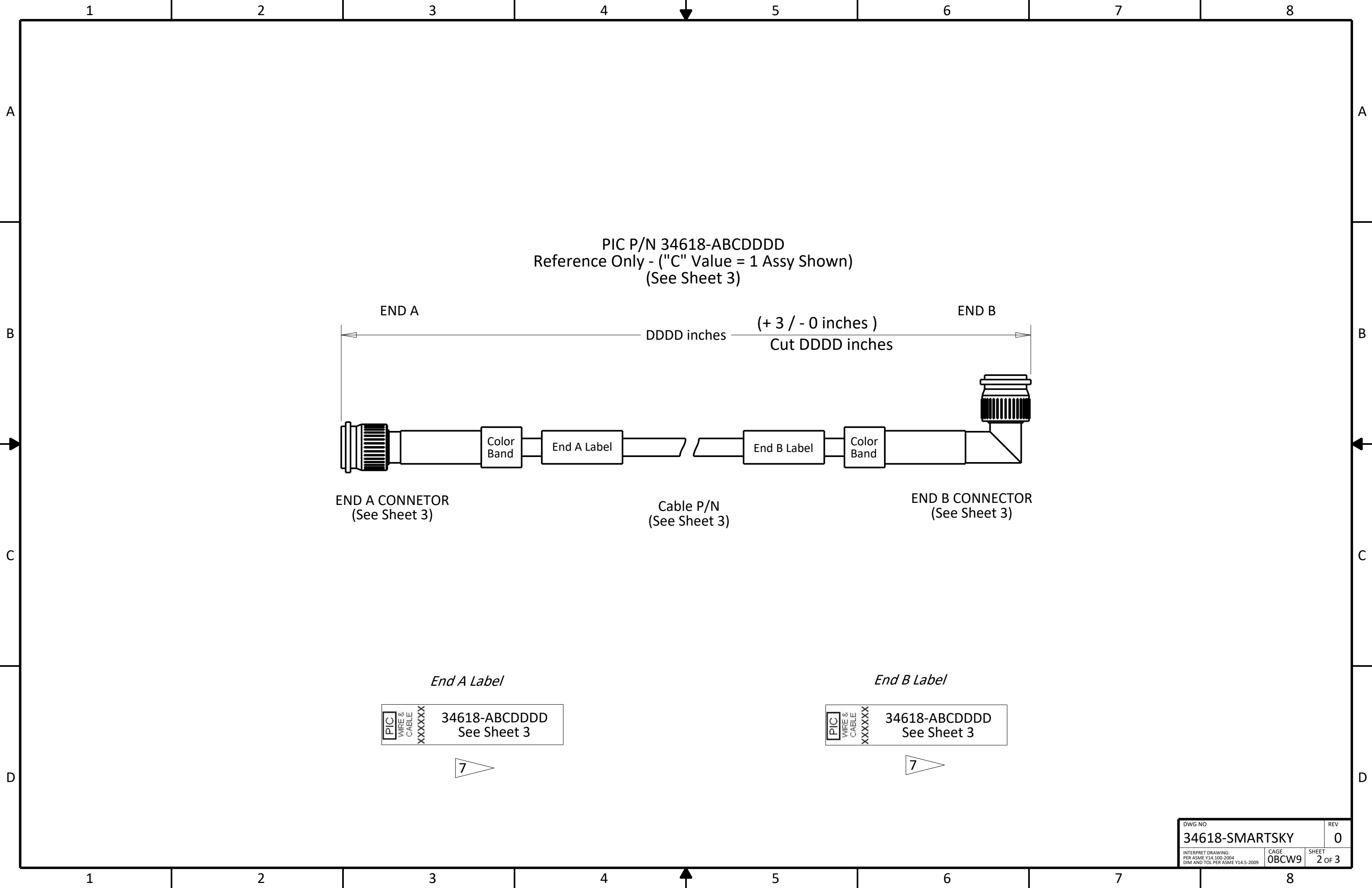
 For "A" value = 2, ABR to FDQ(Rx):
 Test from 2.4 to 2.6 GHz
 Loss: 6.0 dB max @ 2.483 GHz

 For "A" values of 3 thru 6, ABR to HPB:
 Test from 1.5 to 1.7 GHz
 Loss: 10.0 dB max @ 1.6 GHz

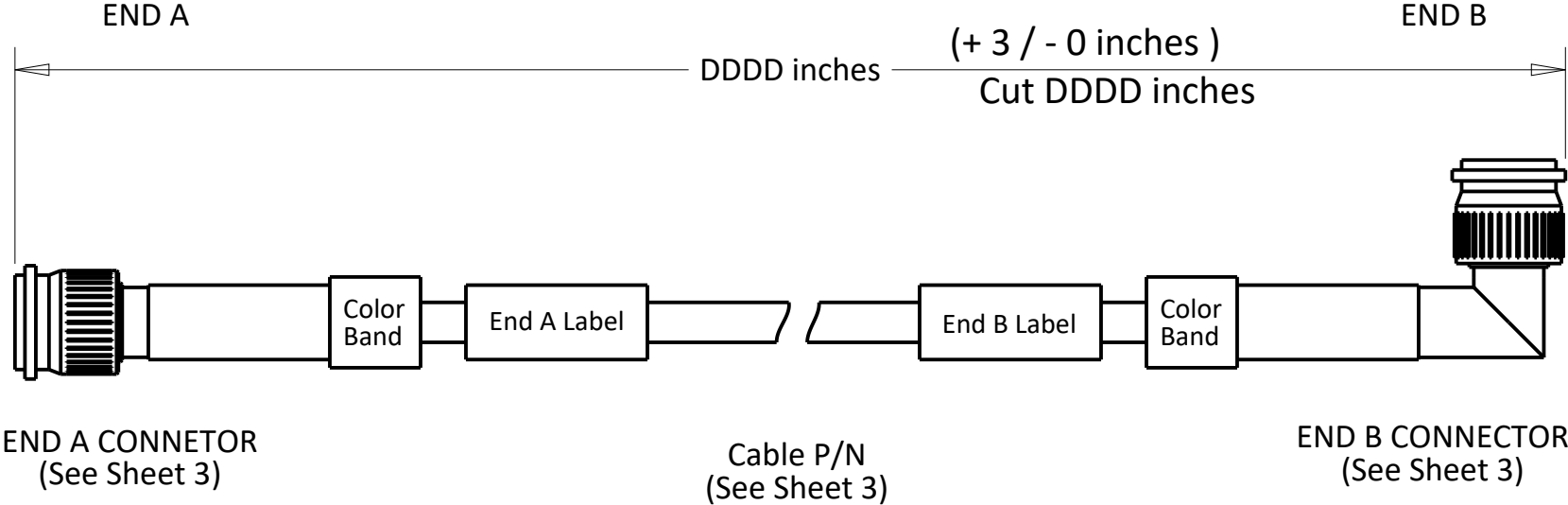
 VSWR for all assemblies is 1.5:1 Max
- TNC 50 Ohm Termination available for TXB2 (J8). To order, specify P/N 190002.



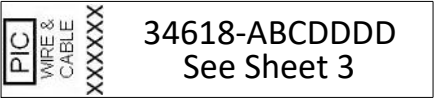
TOLERANCES: .X.....±0.1 .XX.....±0.01 .XXX.....±0.005 ANGLES.....±0.5°		UNLESS OTHERWISE SPECIFIED, DRAWING UNITS ARE IN INCHES				A Division of The Angelus Corporation WWW.PICWIRE.COM	
ORIGINAL SIGNATURES ON FILE ISSUED S. BROWN		DATE 04/30/19		TITLE SMARTSKY 4G LTE SYSTEM ABR TO FDQ/HPR RF COAXIAL CABLES			
CHECKED S. BROWN		DATE 04/30/19		DWG NO 34618-SMARTSKY		REV 0	
APPROVED M. TAUBENHEIM		DATE 04/30/19		PROPRIETARY NOTICE: THIS DOCUMENT AND THE INFORMATION CONTAINED WITHIN ARE PROPRIETARY DATA OF PIC WIRE & CABLE. NEITHER THIS DOCUMENT NOR THE INFORMATION CONTAINED WITHIN SHALL BE USED, REPRODUCED, OR DISCLOSED WITHOUT WRITTEN AUTHORIZATION OF PIC WIRE & CABLE.		INTERPRET DRAWING: PER ASME Y14.100-2004 DIM AND TOL PER ASME Y14.5-2009	
UNLESS OTHERWISE SPECIFIED, DRAWING IS IN THIRD ANGLE PROJECTION (US STANDARD)				CAGE 0BCW9		SHEET 1 OF 3	



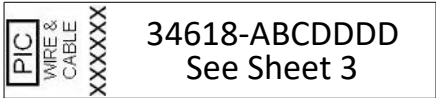
PIC P/N 34618-ABCDDDD
 Reference Only - ("C" Value = 1 Assy Shown)
 (See Sheet 3)



End A Label



End B Label



DWG NO	34618-SMARTSKY	REV	0
INTERPRET DRAWING: PER ASME Y14.100-2004	CAGE 0BCW9	SHEET	2 OF 3
DIM AND TOL PER ASME Y14.5-2009			

SMARTSKY 4G SYSTEM DRAWING PLAN

Cable Assembly Part Numbers 34618-ABCD
(See Tables 1 thru 4 below)

Table 1		
"A" Value - Assembly Application		
"A" Value	End A (From)	End B (To)
1	ABR P9	FDQ-P2 /TX
2	ABR P4	FDQ P3/RX
3	ABR P5	HPB/RX1
4	ABR P3	HPB/RX2
5	ABR P7	HPB/RX3
6	ABR P6	HPB/GPS

Table 2	
"B" Value - Coaxial Cable P/N (See Table 5)	
"B" Value	Cable Part Number
1	UH25107
2	UH22089
3	UH67163
4	UH44193
5	S22089
6	S55122
7	S33141
8	S44191
9	S86208

Table 3		
"C" Value - Connector Configurations		
"C" Value	End A (ABR)	End B (FDQ &HPB)
1	TNC Straight	TNC 90
2	TNC 90	TNC Straight
3	TNC 90	TNC 90
4	TNC Straight	TNC Straight

Table 5 - Max Cable Length Per Application (Length in inches)			
Cable Part #	ABR P9 to FDQ-P2 (2.483 GHz)	ABR P4 toFDQ P3 (2.483 GHz)	ABR - HPB (4 Cables) (1.6 GHz)
	Loss (3.0 dB max)	Loss (6.0 dB max)	Loss (10.0 dB max)
UH25107	612	1318	2880
UH22089	512	1100	2351
UH67163	286	616	1324
UH44193	167	362	784
S22089	503	1083	2351
S55122	346	747	1600
S33141	260	560	1226
S44191	147	317	690
S86208	127	273	588

Cable Labeling/Color Coding Information			
"A" Value Assy	End A Label	End B Label	Color Band
1	ABR P9	FDQ-P2/TX	Blue
2	ABR P4	FDQ-P3/RX	Yellow
3	ABR P5	HPB/RX1	Blue
4	ABR P3	HPB/RX2	Red
5	ABR P7	HPB/RX3	Yellow
6	ABR-P6	HPB/GPS	Green

Table 4	
"DDDD" Value - Assy Length (in)	
"DDDD" Value	Length (in)
0001	1"
...	...
2952	2952"

Connector Part Numbers (For Reference)		
Cable	TNC Straight	TNC 90
UH25017	190408	190409
UH22089	150408	150409
UH67163	150508	150509
UH44193	150108	150109
S22089	190408	190409
S55122	190608	190609
S33141	190308	190309
S44191	190108	190109
S86208	190808	190809

Cable Loss, dB/ft (For Reference)		
Cable	1.6 GHz	2.483 GHz
UH25107	0.04	0.051
UH22089	0.061	0.049
UH67163	0.087	0.109
UH44193	0.147	0.186
S22089	0.049	0.062
S55122	0.072	0.09
S33141	0.094	0.12
S44191	0.167	0.212
S86208	0.196	0.246

Connector Loss per Pair (For Reference)
2.483 GHz - 0.2 dB
1.6 GHz - 0.15 dB