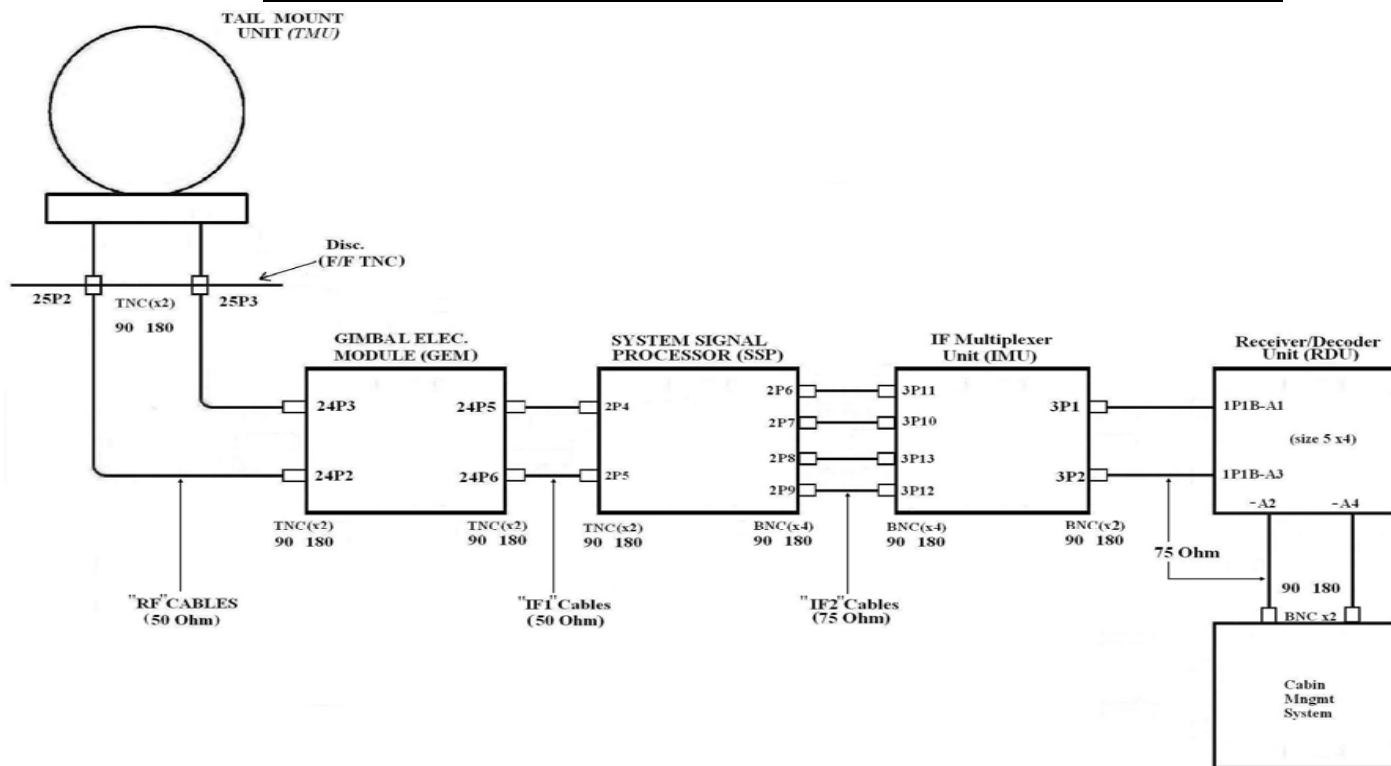


TAILWIND 500 RF CABLE WORKSHEET



Cable length - TMU to GEM : _____

Cable length - IMU to RDU : _____

Cable length - GEM to SSP : _____

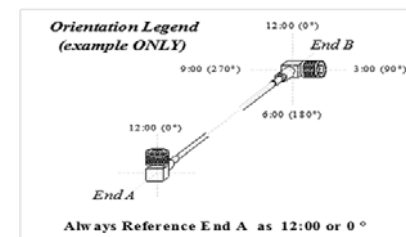
Cable length - RDU to CMS : _____

Cable length - SSP to IMU : _____

LABELING: Standard labeling is P/N, S/N & connection Info.

Conn Angles - Circle the desired conn angles above.

Connector Orientation
 (Assemblies \leq 20 ft with (2) 90° Connectors)
 Configuration Depicted on right : End B is **3:00** or **90°** from end A.



Cable (Test) Requirements :

- TMU to GEM (RF) : Insertion loss: 9 dB min, 13 dB max for each cable from 10.7 - 12.75 GHz.
 VSWR: 2.1:1 max for each cable
 - GEM to SSP (IF1) : Insertion loss: 20 dB Min, 24 dB Max @ 3.45 - 5.5 GHz.
 VSWR: 2.1:1 max for each cable
 - SSP to IMU (IF2) : Insertion loss: 10 dB Min, 14 dB Max @ 950 - 2150 MHz.
 VSWR: 2.1:1 max for each cable
- Use DC passing attenuators as necessary to meet loss budgets.
- IMU to RDU (RG-6) : Insertion Loss: Document @ 3.58 MHz.
 VSWR: Document @ 3.58 MHz.
 - RDU to CMS : Insertion Loss: Document @ 3.58 MHz.
 VSWR: Document @ 3.58 MHz.

CUSTOMER INFORMATION:

CUSTOMER : _____

CONTACT : _____

PH # : _____

DATE : _____

NEED CABLES BY : _____

NEED QUOTE BY : _____