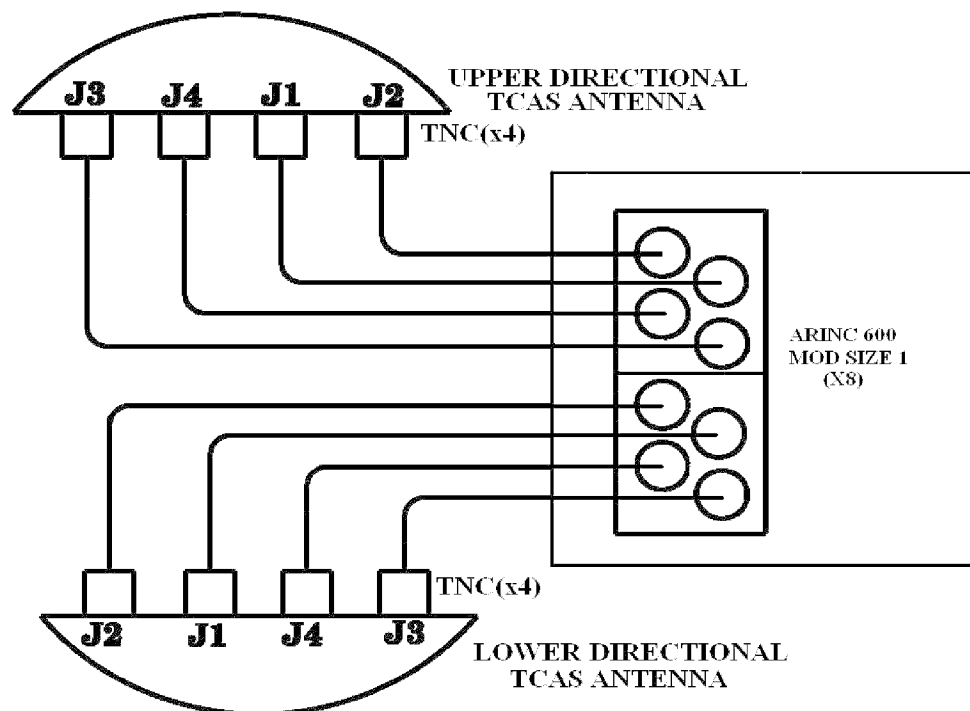


## T<sub>2</sub>CAS TCAS RF CABLE WORKSHEET



### Cable (Test) Requirements :

Insertion Loss: 2.0 to 3.0 dB @ 1.03 GHz for each antenna run.

VSWR: 1.5:1 Max @ 1.03 GHz. for each ant. run

Phase-Matching: Each set of ant. cables Phase-Matched within 360° of each other @ 1.09 GHz.

Electrical Time Delay: 50 nanoseconds Max between upper & lower ant. runs @ 1.09 GHz.

Note: Can be strapped for delay difference if > 50 nS.

### UPPER ANT. INFO:

UPPER ANT. CABLE LENGTH : \_\_\_\_\_

CONN. ANGLE @ UPR ANT. : \_\_\_\_\_

CONN. ANGLE (TNC) @ LRU : \_\_\_\_\_

(If using ARINC 600 Mod Size 1 to TNC (F) adapter P/N 1900xx)

### LOWER ANT. INFO:

LOWER ANT. CABLE LENGTH : \_\_\_\_\_

CONN. ANGLE @ LWR ANT. : \_\_\_\_\_

CONN. ANGLE (TNC) @ LRU : \_\_\_\_\_

(If using ARINC 600 Mod Size 1 to TNC (F) adapter P/N 1900xx)

**LABELING:** Standard Labeling is P/N, S/N & connection Info.

### CUSTOMER INFORMATION:

CUSTOMER : \_\_\_\_\_

CONTACT : \_\_\_\_\_

PH # : \_\_\_\_\_

DATE : \_\_\_\_\_

NEED CABLES BY : \_\_\_\_\_

NEED QUOTE BY : \_\_\_\_\_