
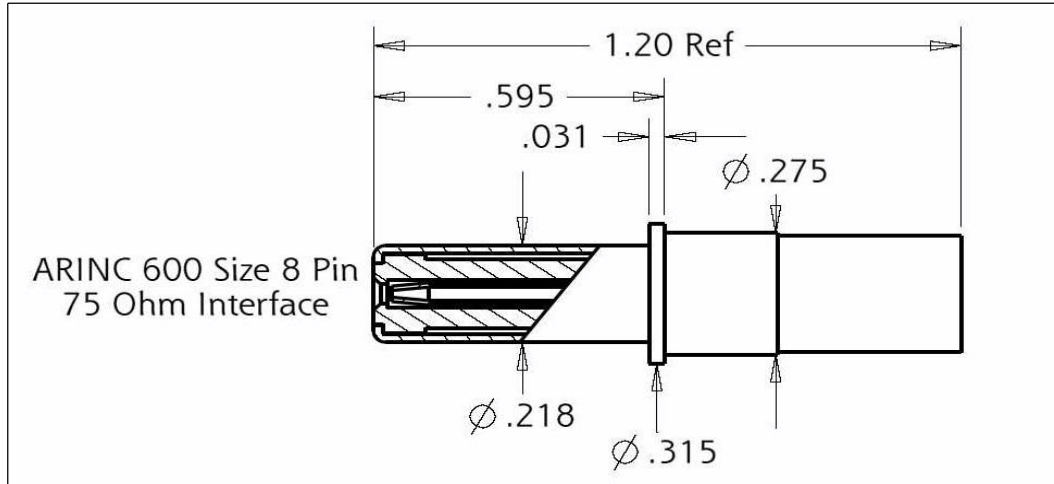


PIC Wire & Cable	Connector Specification	P/N 190937
<i>A Division of the Angelus Corporation</i> Ph (262) 246-0500 Fax (262) 246-0450 www.picwire.com PO Box 330 Sussex, WI 53089	Approved : 	Date : 08/15/11
	Distribution : USER	Rev. 3 (03/14/17)
		Uncontrolled if Printed

ARINC 600 Size 8 Pin Contact - 75 Ohm Interface
for PIC Coax P/N V78209



PERFORMANCE

Impedance	75 Ohms
Frequency Range	0 - 3 GHz
Voltage Rating	325 VRMS
Insulation Resistance	5000 Megohms

CONNECTOR WEIGHT (Each)

0.19 ounces (5.44 grams)

RoHS COMPLIANT

Complies to RoHS Standards

INSTALLATION

Crimp Tooling:

Center Contact M22520 / 1 - 01 Tool,
Selector @ # 4
Recommended Positioner :
PIC # 110657 (Daniels # TP1681)

Crimp Ferrule M22520 / 5 - 01 Tool,
Die Set M22520 / 5 - 45,
Cavity A (.231" hex)

CONSTRUCTION

Materials:

Body	Brass, ASTM-B16
Center Contact	Beryllium Copper, ASTM-B196
Ferrule	Brass, ASTM-B16, Dead Soft
Dielectric	TFE Fluorocarbon, ASTM-D1710

Finish :

Body / Ferrule	Gold
Center Contact	Gold

APPLICATIONS

ARINC 600

Notes :

1) Please refer to T-1909XX Termination Instruction sheet for strip dimensions & instructions.

2) Removal Tool P/N M81969/14-12