
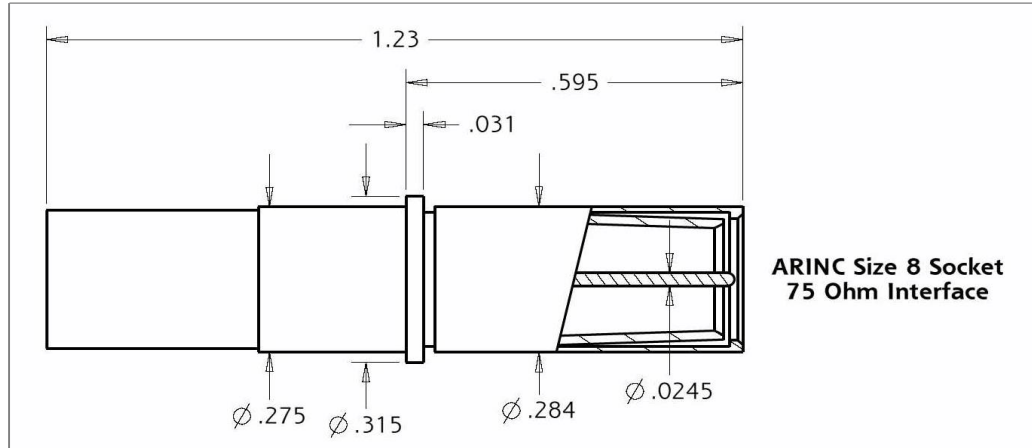


PIC Wire & Cable	Connector Specification	P/N 190932
<i>A Division of the Angelus Corporation</i> Ph (262) 246-0500 Fax (262) 246-0450 www.picwire.com PO Box 330 Sussex, WI 53089	Approved : 	Date : 06/07/11
	Distribution : USER	Rev. 3 (03/14/17)
		Uncontrolled if Printed

ARINC Size 8 Coaxial Socket Contact - 75 Ohm Interface
for V78209



PERFORMANCE

Nominal Impedance	75 Ohms
Frequency Range	0 - 3 GHz
Voltage Rating	350 VRMS
Insulation Resistance	5000 Megohms

CONNECTOR WEIGHT (Each)

0.15 ounces (4.29 grams)

RoHS COMPLIANT

Complies to RoHS Standards

INSTALLATION

Crimp Tooling:

Center Contact M22520 / 1 - 01 Tool,
Selector @ # 4
Recommened Positioner :
PIC # 110657 (Daniels # TP1681)

Crimp Ferrule M22520 / 5 - 01 Tool, with
M22520 / 5 - 45 Hex Crimp Die,
cavity A (.231" hex)

CONSTRUCTION

Materials:

Body	Beryllium Copper, ASTM-B196, Alloy UNS C17300
Outer Hood	Stainless Steel, ASTM-A582, Alloy UNS S30300
Center Contact	Beryllium Copper, ASTM-B196, Alloy UNS C17300
Ferrule	Brass, ASTM-B16, Alloy UNS 36000, Dead Soft,
Dielectric	TFE Fluorocarbon, ASTM-D1710, Type 1, Grade 1

Finish :

Body, Ferrule	Gold
Center Contact	Gold
Outer Hood	Passivated Stainless

APPLICATIONS

ARINC 600

Notes :

- 1) Please refer to T-1909XX Termination Instruction sheet for strip dimensions & instructions.
- 2) Removal Tool P/N M81969/14-12