
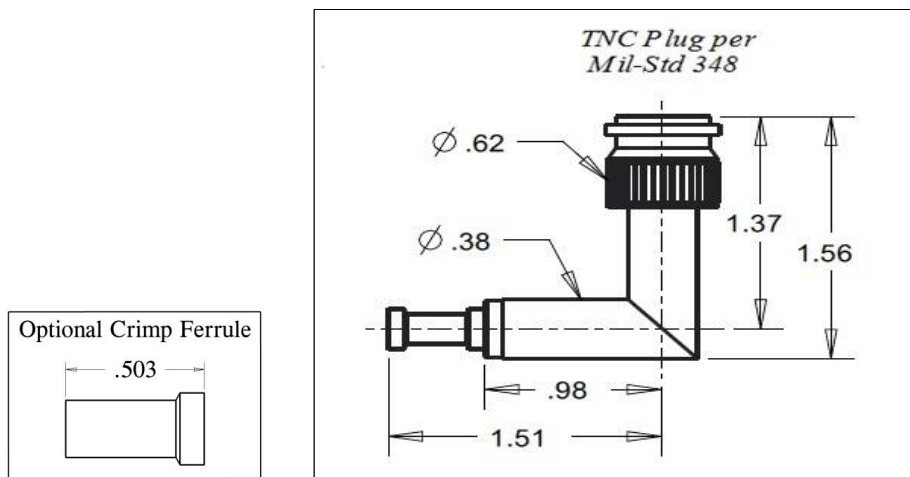


<b>PIC Wire &amp; Cable</b>	<b>Connector Specification</b>	<b>P/N 190809-L</b>
<i>A Division of the Angelus Corporation</i> Ph (262) 246-0500 Fax (262) 246-0450 www.picwire.com PO Box 330 Sussex, WI 53089	Approved : 	Date : 07/14/16
	Distribution : USER	Rev : 1 (10/12/16)
		Uncontrolled if Printed

**TNC (50 Ohm) 90° Plug, Ext. Length**  
*for PIC Cables S83204, S86208, S88207*



*Features Not Shown : Safety Wire Holes, Gasket in Front*

**PERFORMANCE**

Nominal Impedance	50 Ohms
Frequency Range	0 - 12 GHz
Voltage Rating	500 VRMS
Insulation Resistance	5000 Megohms

**CONNECTOR WEIGHT (Each)**

1.26 ounces (35.72 grams)

**RoHS COMPLIANT**

Complies to RoHS Standards

**INSTALLATION**

**Center Contact**

Solder Only

**Weatherproofing Crimp Ferrule**

M22520 / 5 - 01 Tool,  
 PIC 190818 Hex Crimp Die  
 (.186/.222 hex)

**Optional Crimp Ferrule**

M22520 / 5-01 Tool,  
 \*MIL Spec M22520 / 5-09  
 (.178 A hex)

**CONSTRUCTION**

**Materials:**

Body	Brass, ASTM-B16, Alloy UNS 36000, H02
Center Contact	Beryllium Copper, ASTM-B196, Alloy UNS C17300
Ferrule	Brass, ASTM-B16, Alloy UNS 36000, Dead Soft, Weatherseals included
Dielectric	TFE Fluorocarbon, ASTM-D1710, Type 1, Grade 1

**Finish :**

Body, Ferrule	TRI-M3
Center Contact	Gold

**APPLICABLE STANDARDS**

MIL-STD 348, MIL-PRF-39012

**Notes :**

- 1) A 2.0" piece of Raychem ATUM heat shrink P/N ATUM-12/3-0 provided with connector for purpose of strain relief & moisture protection.
- 2) Please refer to T-190809-L Termination Instruction sheet for strip dimensions & instructions.

\* Note - MIL Spec die to be used on smaller diameter area of "optional" crimp ferrule only. Not the larger "Bell" area on end.