
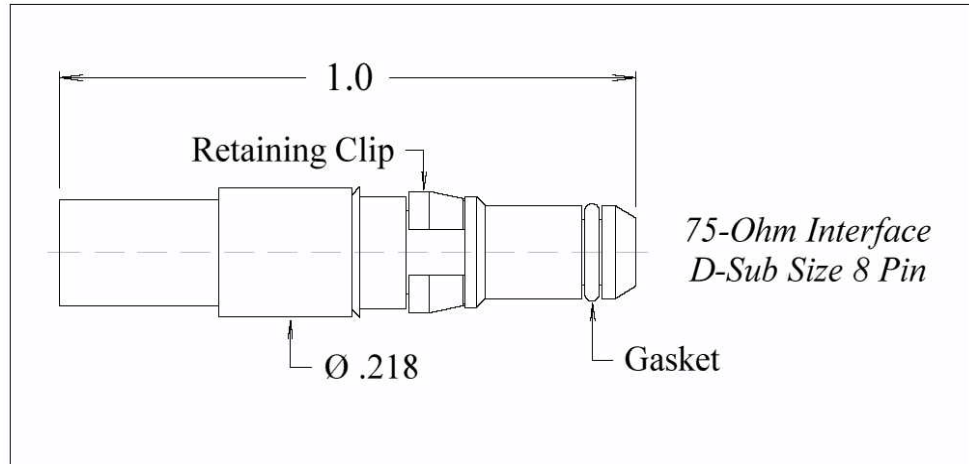


<b>PIC Wire &amp; Cable</b>	<b>Connector Specification</b>	<b>P/N 190763</b>
<i>A Division of the Angelus Corporation</i> Ph (262) 246-0500 Fax (262) 246-0450 www.picwire.com PO Box 330 Sussex, WI 53089	Approved : 	Date : 12/12/12
	Distribution : USER	Rev : 5 (10/15/18)
		Uncontrolled if Printed

**D-Sub Size 8 Pin (Plug) Contact - 75 Ohm Interface**

*for V73263 / V75268 / V76261*

**Caution: For use with 75 Ohm Interface mating contact P/N 190764 ONLY.**



**PERFORMANCE**

Impedance :	75 Ohms
Frequency Range :	0 - 3 GHz
Insertion Loss (max) :	0.5 dB @ 3 GHz.
Voltage Rating :	1000 V(rms)
Insulation Resistance :	5000 Megohms min.
DW Voltage :	1500 V(rms)

**CONNECTOR WEIGHT (Each)**

0.093 ounces (2.65 grams)

**RoHS COMPLIANT**

Complies to RoHS Standards

**INSTALLATION (Crimp Tooling)**

**Center Contact :**

M22520 / 2 - 01 Tool, Selector Dial @ # 4  
Positioner : PIC P/N 110926 (Daniels # K127-2)  
Alt. - PIC P/N 110753 (Daniels # K1886)

**Crimp Ferrule**

M22520 / 5 - 01 Tool ,  
Die Set:  
PIC P/N 110376, (Daniels # Y187)  
Cavity B (.156" hex)

**CONSTRUCTION**

**Materials:**

Body :	Brass, ASTM-B16, Alloy UNS 36000, H02
Center Contact :	Beryllium Copper, ASTM-B196, Alloy UNS C17300
Ferrule :	Brass, ASTM-B16, Alloy UNS 36000, Dead Soft
Dielectric :	PTFE Fluorocarbon, ASTM-1457
Clip Ring :	Beryllium Copper, ASTM-B194
Gasket	Silicone Rubber, ZZ-R-765

**Finish :**

Body, Contact, Ferrule :	Gold, MIL-G-45204
Clip Ring :	Nickel, QQ-N-290

**APPLICABLE STANDARDS**

DSCC SPEC 89058

**Notes :**

- 1) Please refer to T-1907XX Termination Instruction sheet for strip dimensions & instructions.
- 2) Recommended Removal Tools :  
Palco P/N T0100-K, Positronics P/N 4311-0-0-0  
or ITT P/N CET-C6B