


PIC Wire & Cable**Connector Specification****P/N 190738-01**

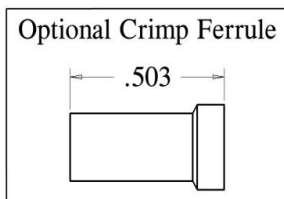
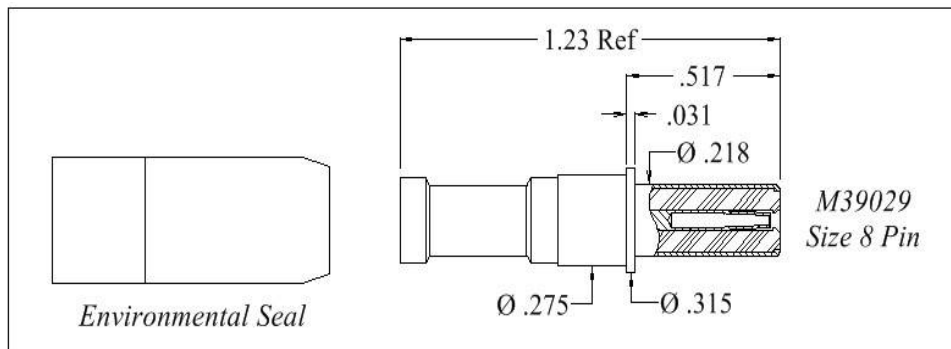
A Division of the Angelus Corporation
 Ph (262) 246-0500 Fax (262) 246-0450 www.picwire.com
 PO Box 330 Sussex, WI 53089

Approved : 
 Distribution : USER

Date : 06/19/12
 Rev. 4 (03/13/17)
 Uncontrolled if Printed

M39029 Size 8 Pin Contact, w/ Environmental Seal

for V73263, V75268, V76261

**PERFORMANCE**

Nominal Impedance	50 Ohms
Frequency Range	0 - 2 GHz
Voltage Rating	325 V (rms)
Insulation Resistance	5000 Megohms

CONNECTOR WEIGHT (Each)

0.21 ounces (5.89 grams)

RoHS COMPLIANT

Complies to RoHS Standards

INSTALLATION**Center Contact**

M22520 / 2 - 01 Tool,
 Selector Dial @ # 5
 Recommended Positioner :
 PIC # 110369

Weatherproofing Crimp Ferrule

M22520 / 5 - 01 Tool,
 PIC 190818 Hex Crimp Die
 (.186/.222 hex)

Optional Crimp Ferrule

M22520 / 5-01 Tool,
 *MIL Spec M22520 / 5-41
 (.178 "B" hex)

CONSTRUCTION**Materials:**

Body	Brass, ASTM-B16, Alloy UNS 36000, H02
Center Contact	Beryllium Copper, ASTM-B196, Alloy UNS C17300
Ferrule	Brass, ASTM-B16, Alloy UNS 36000, Dead Soft, Weatherseals included
Dielectric	TFE Fluorocarbon, ASTM-D1710, Type 1, Grade 1
Environmental Seal	Thermoplastic & Elastomer

Finish :

Body, Ferrule	Gold
Center Contact	Gold

APPLICATIONS

MIL-C-39029/60
 MIL-C-38999 Series I, III, IV

Notes :

- 1) Please refer to T-190738-01 Termination Instruction sheet for strip dimensions & instructions.
- 2) Removal Tool P/N M81969/14-12

* Note - MIL Spec die to be used on smaller diameter area of "optional" crimp ferrule only. Not the larger "Bell" area on end.