
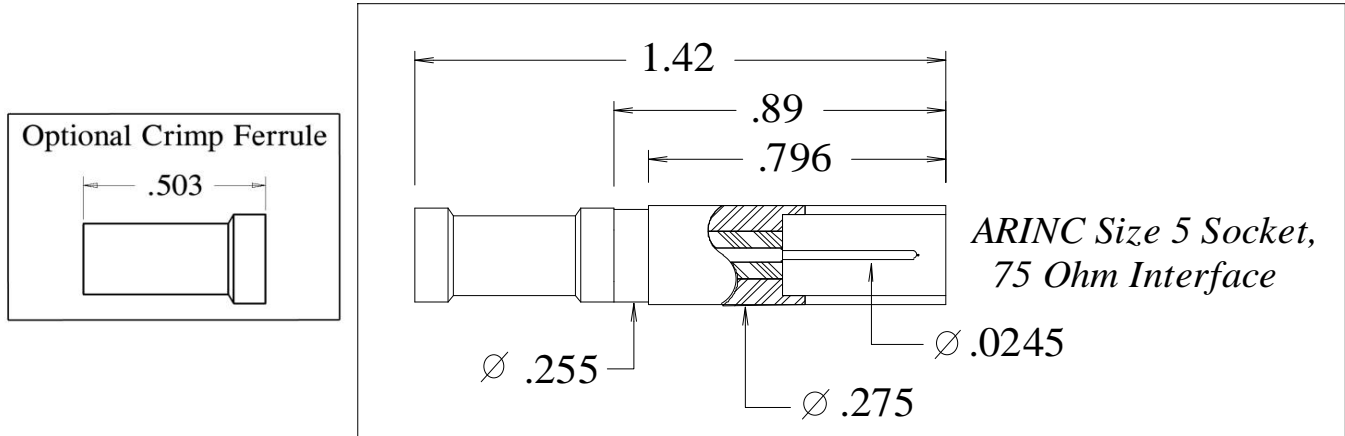


<b>PIC Wire &amp; Cable</b>	<b>Connector Specification</b>	<b>P/N 190733</b>
<i>A Division of the Angelus Corporation</i> Ph (262) 246-0500 Fax (262) 246-0450 www.picwire.com PO Box 330 Sussex, WI 53089	Approved : 	Date : 09/11/02
	Distribution : USER	Rev. 5 (03/13/17) Uncontrolled if Printed

**ARINC 404/600 SIZE 5 SOCKET CONTACT**

(75 Ohm Interface)

for V75268, V76261, V73263



**PERFORMANCE**

Nominal Impedance	75 Ohms
Frequency Range	0 - 2 GHz
Voltage Rating	350 VRMS
Insulation Resistance	5000 Megohms

**CONNECTOR WEIGHT (Each)**

0.21 ounces (5.95 grams)

**RoHS COMPLIANT**

Complies to RoHS Standards

**INSTALLATION**

**Center Contact**

M22520 / 2 - 01 Tool,  
Selector Dial @ # 6  
Recommended Positioner :  
PIC # 110256 (Daniels # K1447)

**Weatherproofing Crimp Ferrule**

M22520 / 5 - 01 Tool,  
PIC 190818 Hex Crimp Die  
(.186/.222 hex)

**Optional Crimp Ferrule**

M22520 / 5-01 Tool,  
\*MIL Spec M22520 / 5-41  
(.178 "B" hex)

**CONSTRUCTION**

**Materials:**

Body	Beryllium Copper, ASTM-B196, Alloy UNS C17300
Center Contact	Brass, ASTM-B16, Alloy UNS 36000, H02
Ferrule	Brass, ASTM-B16, Alloy UNS 36000, Dead Soft, Weatherseals included
Dielectric	TFE Fluorocarbon, ASTM-D1710, Type 1, Grade 1

**Finish :**

Body, Ferrule	Gold
Center Contact	Gold

**APPLICATIONS**

ARINC 404 / 600

**Notes :**

- 1) Please refer to T-1907XX Termination Instruction sheet for strip dimensions & instructions.
- 2) Removal Tool P/N M81969/14-12

\* Note - MIL Spec die to be used on smaller diameter area of "optional" crimp ferrule only. Not the larger "Bell" area on end.