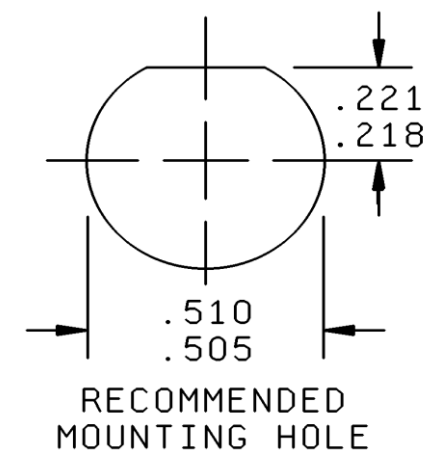
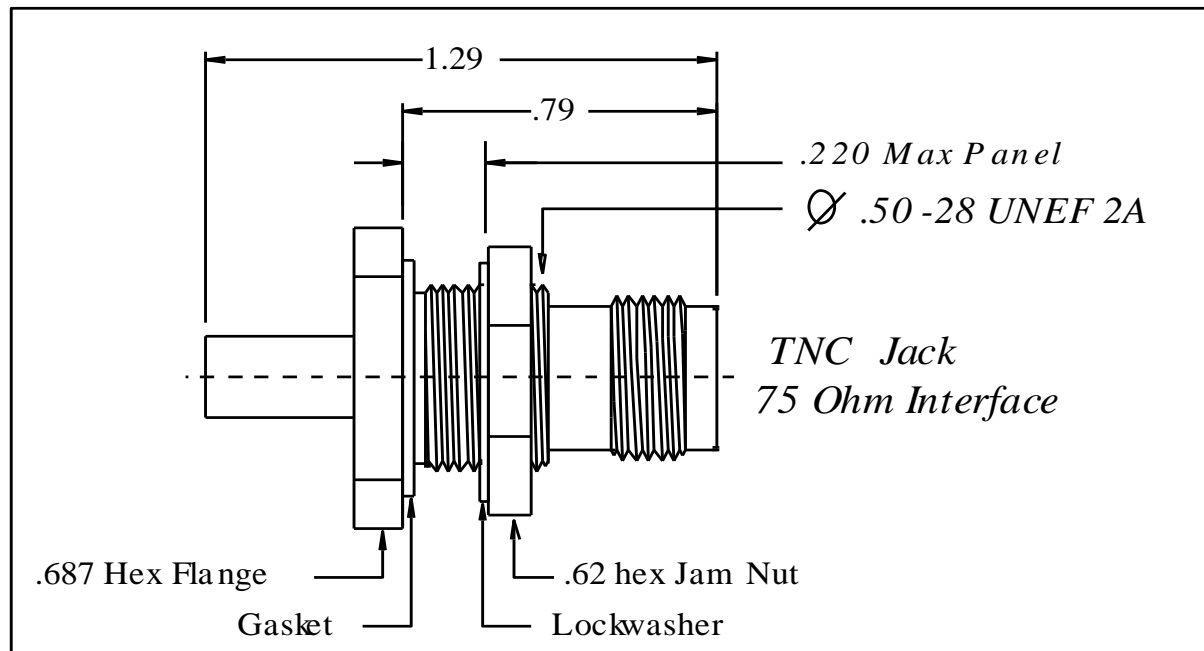


| | | |
|------------------------------------------------------------------------------------------------------------------------------------------------|--------------------------------|--------------------------------------------|
| PIC Wire & Cable <i>A Division of the Angelus Corporation</i> Ph 262-246-0500 Fax 262-246-0450 PO Box 330 Sussex, WI 53089 | Connector Specification | 190721 |
| | Approved <i>M.C.J.</i> | Date 08/06/03 |
| | Distribution : USER | Rev. 3 (07/16/13) Uncontrolled Document |

TNC Bulkhead Jack
for V75268 / V76261 / V73263



PERFORMANCE

| | |
|-----------------------|--------------|
| Nominal Impedance | 75 Ohms |
| Frequency Range | 0 - 3 GHz |
| Voltage Rating | 500 VRMS |
| Insulation Resistance | 5000 Megohms |

CONNECTOR WEIGHT (Each)

tbd

RoHS COMPLIANT

Complies to RoHS Standards

INSTALLATION

Recommended Jam Nut Torque - 35 to 40 in. lbs.

Crimp Tooling:

| | |
|-----------------------|---------------------------------------------------------------------------------------|
| <i>Center Contact</i> | M22520 / 2 - 01 Tool, PIC 110202 Positioner, (Daniels K1301), Dial Setting # 5 |
| <i>Crimp Ferrule</i> | M22520 / 5 - 01 Tool, M22520 / 5-41, B Hex Crimp Die (.178 hex). PIC P/N 110333 |

CONSTRUCTION

Materials:

| | |
|----------------|--------------------------------------------------|
| Body, Jam Nut | Brass, ASTM-B16, Alloy UNS 36000, H02 |
| Center Contact | Beryllium Copper, ASTM-B196, Alloy UNS C17300 |
| Ferrule | Brass, ASTM-B16, Alloy UNS 36000, Dead Soft, |
| Dielectric | TFE Fluorocarbon, ASTM-D1710, Type 1, Grade 1 |
| Lock Washer | Phosphor Bronze |
| Gasket | Silicone Rubber |

Finish :

| | |
|----------------|--------|
| Body, Ferrule | Nickel |
| Center Contact | Gold |

| | |
|-----------------------------|------------------------------|
| <i>Applicable Standards</i> | MIL-STD 348 MIL-PRF-39012 |
|-----------------------------|------------------------------|

Notes :

- 1) A 1.5" piece of Raychem ATUM heat shrink P/N ATUM-12/3-0 provided with connector for purpose of strain relief & moisture protection.
- 2) Please refer to T-1907XX Termination Instruction sheet for strip dimensions & instructions.