

PIC Wire & Cable

A Division of the Angelus Corporation
 Ph (262) 246-0500 Fax (262) 246-0450 www.picwire.com
 PO Box 330 Sussex, WI 53089

Connector Specification

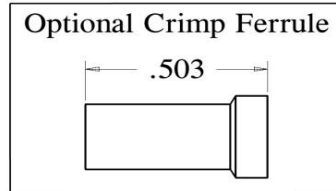
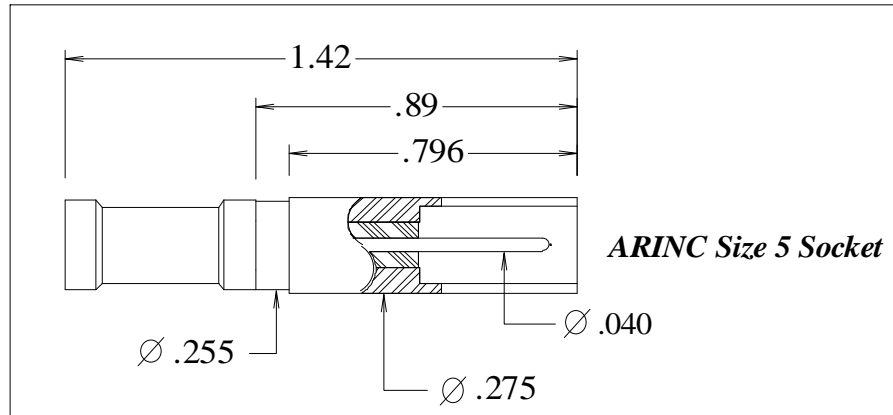
Approved : *M.C.J.*
 Distribution : USER

P/N 190703

Date : 09/11/02
 Rev 4 : (10/23/14)
 Uncontrolled Document

ARINC SIZE 5 SOCKET CONTACT

for V75268, V76261, V73263

**PERFORMANCE**

Nominal Impedance	50 Ohms
Frequency Range	0 - 2 GHz
Voltage Rating	350 VRMS
Insulation Resistance	5000 Megohms

CONNECTOR WEIGHT (Each)

.25 ounces (7.09 grams)

RoHS COMPLIANT

Complies to RoHS Standards

INSTALLATION**Center Contact**

M22520 / 2 - 01 Tool,
 Selector Dial @ # 6
 Recommended Positioner :
 PIC # 110256 (Daniels # K1447)

Weatherproofing Crimp Ferrule

M22520 / 5 - 01 Tool,
 PIC 190818 Hex Crimp Die
 (.186/.222 hex)

Optional Crimp Ferrule

M22520 / 5-01 Tool,
 *MIL Spec M22520 / 5-41
 (.178 "B" hex)

* Note - MIL Spec die to be used on smaller diameter area of "optional" crimp ferrule only. Not the larger "Bell" area on end.

CONSTRUCTION**Materials:**

Body	Beryllium Copper, ASTM-B196, Alloy UNS C17300
Center Contact	Brass, ASTM-B16, Alloy UNS 36000, H02
Ferrule	Brass, ASTM-B16, Alloy UNS 36000, Dead Soft, Weatherseals included
Dielectric	TFE Fluorocarbon, ASTM-D1710, Type 1, Grade 1

Finish :

Body, Ferrule	Gold
Center Contact	Gold

Applications: ARINC 600

Notes :

- 1) Please refer to T-1907XX Termination Instruction sheet for strip dimensions & instructions.
- 2) Removal Tool P/N M81969/28-01