
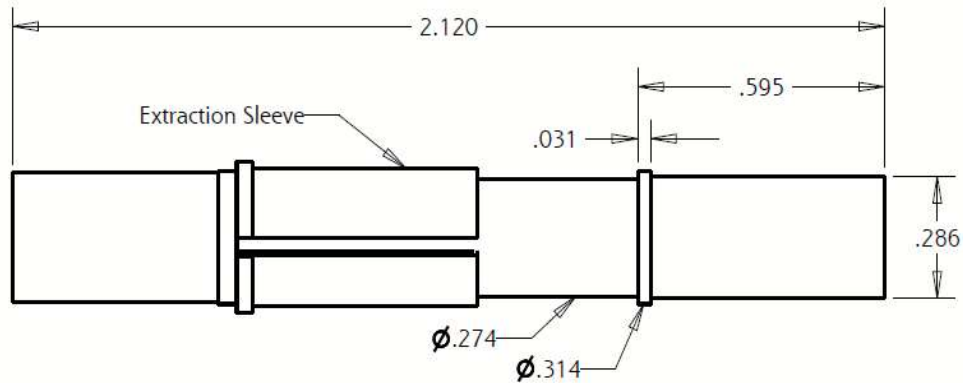


PIC Wire & Cable	Connector Specification	P/N 190529
<i>A Division of the Angelus Corporation</i> Ph (262) 246-0500 Fax (262) 246-0450 www.picwire.com PO Box 330 Sussex, WI 53089	Approved : 	Date : 07/23/19
	Distribution : USER	Rev : 1 (08/08/19)
		Uncontrolled if Printed

ARINC 600 Size 8 Coaxial Socket Contact
for PIC Cable P/N S67163



PERFORMANCE

Nominal Impedance	50 Ohms
Frequency Range	0 - 5 GHz
Voltage Rating	500 V(rms)
Insulation Resistance	5000 Megohms
Dielectric Withstanding Voltage	1000 V(rms)
VSWR (Max)	1.3:1
Insertion Loss (Max)	0.3 dB

CONNECTOR WEIGHT (Each)

0.49 ounces (13.83 grams)

RoHS COMPLIANT

Complies to RoHS Standards

INSTALLATION (Tooling)

Center Contact

Solder Only

Crimp Ferrule

M22520 / 5-01 Tool
M22520 / 5-13 Die Set
(.255" A hex)

CONSTRUCTION

Materials:

Body	Beryllium Copper, ASTM-B196, Alloy UNS C17300
Outer Hood	Stainless Steel, ASTM-A582, Alloy UNS S30300
Cable Contact	Beryllium Copper, ASTM-B196, Alloy UNS C17300
Ferrule	Brass, ASTM-B16, Alloy UNS 36000, Dead Soft
Dielectric	TFE Fluorocarbon, ASTM-D1710, Type 1, Grade 1

Finish :

Body, Cable Contact	Gold
Ferrule	Bright Nickel
Outer Hood	Passivated Stainless

APPLICABLE STANDARDS

ARINC 600, Amphenol AIR LB (Series 1900) EN3545

Notes :

- 1) A 1.5" piece of Raychem ATUM heat shrink P/N ATUM-12/3-0 provided with connector for purpose of strain relief & moisture protection.
- 2) Please refer to T-190529 Termination Instruction sheet for strip dimensions & instructions.
- 3) No extraction tool needed. Contact has a built in extraction sleeve.