


PIC Wire & Cable

A Division of the Angelus Corporation
 Ph (262) 246-0500 Fax (262) 246-0450 www.picwire.com
 PO Box 330 Sussex, WI 53089

Connector Specification

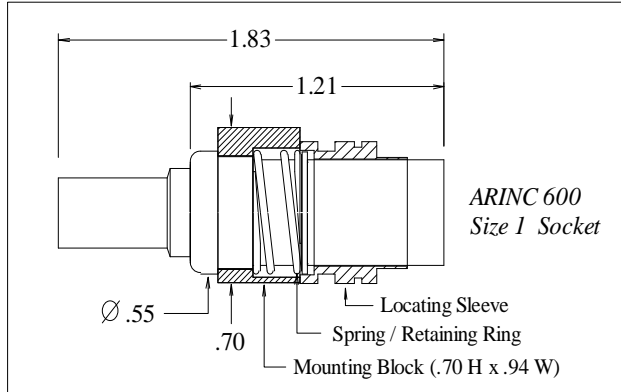
Approved : 
 Distribution : USER

P/N 190501A

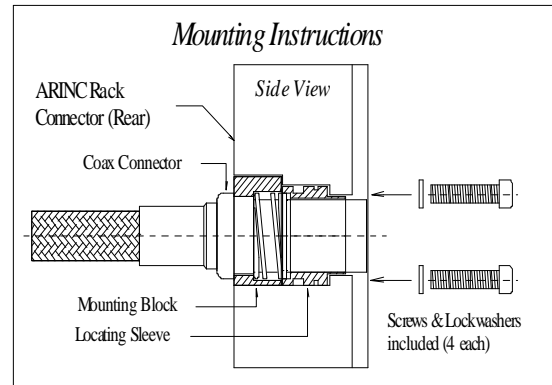
Date : 10/30/03
 Rev. 3 (04/04/16)
 Uncontrolled if Printed

ARINC 600 Size 1 Socket Contact

for S65161, S65161-A



Features Not Shown : Mounting Screws (4 ea), Lockwashers (4 ea)

**PERFORMANCE**

Nominal Impedance	50 Ohms
Frequency Range	0 - 5 GHz
Voltage Rating	1000 VRMS
Insulation Resistance	5000 Megohms

CONNECTOR WEIGHT (Each)

1.39 ounces (39.41 grams)

RoHS COMPLIANT

Complies to RoHS Standards

INSTALLATION

Pic Die Set	MIL Spec Die Set
<i>Center Contact</i>	<i>Center Contact</i>
M22520 / 5 - 01 Tool, PIC 190518A Hex Crimp Die (.098 hex)	M22520 / 5-01 Tool, MIL Spec *M22520 / 5-57 (.100 B hex)
<i>Crimp Ferrule</i>	<i>Crimp Ferrule</i>
M22520 / 5 - 01 Tool, *PIC 190518A Hex Crimp Die (.270/.340 hex)	M22520 / 5-01 Tool, MIL Spec *M22520 / 5-43 (.268 A hex)

* Note - MIL Spec die to be used on the smaller diameter area of ferrule only. Not the larger "Bell" area on end.

CONSTRUCTION**Materials:**

Body	Brass, ASTM-B16, Alloy UNS 36000, H02
Center Contact	Beryllium Copper, ASTM-B196, Alloy UNS C17300
Ferrule	Brass, ASTM-B16, Alloy UNS 36000, Dead Soft, Weatherseals included
Dielectric	TFE Fluorocarbon, ASTM-D1710, Type 1, Grade 1
Spring, Retaining Ring	Stainless Steel
Mounting Block	Aluminum, Alloy 6061 T6

Finish :

Body, Ferrule	Gold
Center Contact	Gold
Spring, Retaining Ring	Passivated
Mounting Block	Iridite

Applicable Standards ARINC 600

Notes :

- 1) A 1.5" piece of Raychem ATUM heat shrink P/N ATUM-16/4-0 provided with connector for purpose of strain relief & moisture protection.
- 2) Please refer to T-1905XXA Termination Instruction sheet for strip dimensions & instructions.