
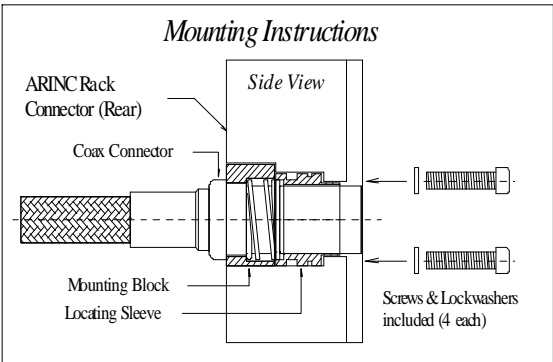
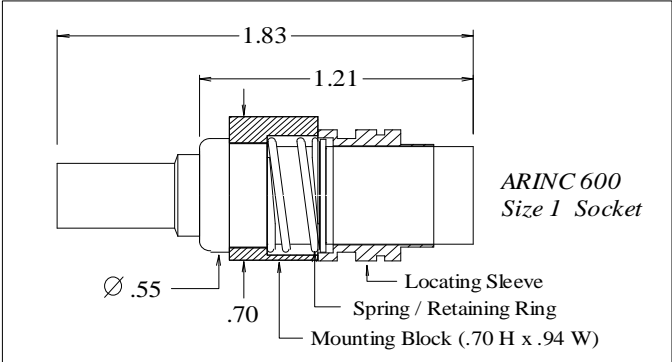


<b>PIC Wire &amp; Cable</b>	<b>Connector Specification</b>	<b>P/N 190501</b>
A Division of the Angelus Corporation Ph (262) 246-0500 Fax (262) 246-0450 www.picwire.com PO Box 330 Sussex, WI 53089	Approved : 	Date 12/21/95 Rev. 4 (06/17/14)
	Distribution : USER	Uncontrolled Document

**ARINC 600 Size 1 Socket**  
for S67163



Features Not Shown : Mounting Screws (4 ea), Lockwashers (4 ea)

**PERFORMANCE**

Nominal Impedance	50 Ohms
Frequency Range	0 - 5 GHz
Voltage Rating	1000 VRMS
Insulation Resistance	5000 Megohms

**CONNECTOR WEIGHT (Each)**

1.39 ounces (39.41 grams)

**RoHS COMPLIANT**

Complies to RoHS Standards

**INSTALLATION**

<b>Pic Die Set</b>	<b>MIL Spec Die Set</b>
<i>Center Contact</i>	<i>Center Contact</i>
M22520 / 5 - 01 Tool, *PIC 190518A Hex Crimp Die (.098 hex)	M22520 / 5-01 Tool, MIL Spec *M22520 / 5-57 (.100 B hex)
<i>Crimp Ferrule</i>	<i>Crimp Ferrule</i>
M22520 / 5 - 01 Tool, *PIC 190518A Hex Crimp Die (.270/.340 hex)	M22520 / 5-01 Tool, MIL Spec *M22520 / 5-43 (.268 A hex)

**CONSTRUCTION**

<b>Materials:</b>	
Body	Brass, ASTM-B16, Alloy UNS 36000, H02
Center Contact	Beryllium Copper, ASTM-B196, Alloy UNS C17300
Ferrule	Brass, ASTM-B16, Alloy UNS 36000, Dead Soft, Weatherseals included
Dielectric	TFE Fluorocarbon, ASTM-D1710, Type 1, Grade 1
Spring, Retaining Ring	Stainless Steel
Mounting Block	Aluminum, Alloy 6061 T6

<b>Finish :</b>	
Body, Ferrule	Gold
Center Contact	Gold
Spring, Retaining Ring	Passivated
Mounting Block	Iridite

**Applicable Standards** ARINC 600

- Notes :**
- 1) A 1.5" piece of Raychem ATUM heat shrink P/N ATUM-16/4-0 provided with connector for purpose of strain relief & moisture protection.
  - 2) Please refer to T-190XXX Termination Instruction sheet for strip dimensions & instructions.

\* Notes: 1. PIC 190518 Crimp Die Set superseded by PIC 190518A; either is acceptable for use with 190501 Connectors.  
2. MIL Spec die to be used on the smaller diameter area of ferrule only. Not the larger "Bell" area on end.