
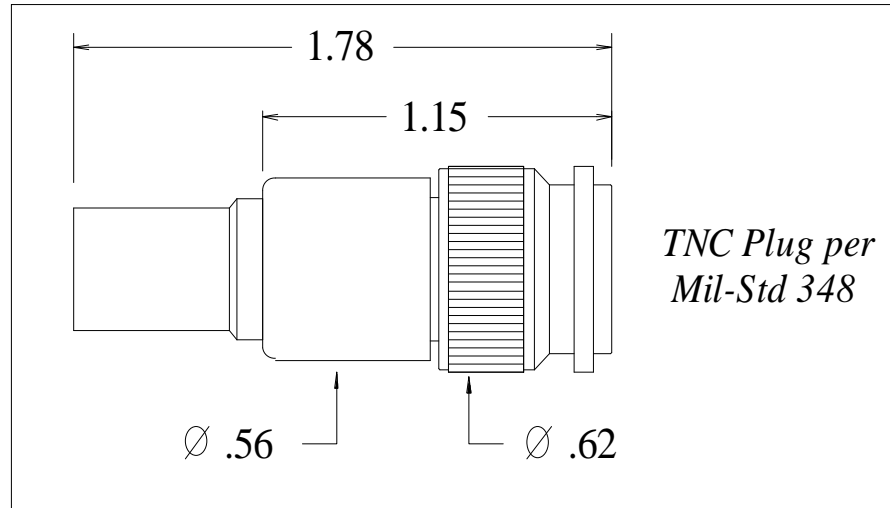


PIC Wire & Cable	Connector Specification	P/N 190308
<i>A Division of the Angelus Corporation</i> Ph (262) 246-0500 Fax (262) 246-0450 www.picwire.com PO Box 330 Sussex, WI 53089	Approved : 	Date 03/10/92
		Rev. 6 (06/17/14)
	Distribution : USER	Uncontrolled Document

TNC Straight Plug
for S33141



Features Not Shown : Safety Wire Holes, Gasket in Front

PERFORMANCE

Nominal Impedance	50 Ohms
Frequency Range	0 - 12 GHz
Voltage Rating	500 VRMS
Insulation Resistance	5000 Megohms

CONNECTOR WEIGHT (each)

1.19 ounces (33.74 grams)

RoHS COMPLIANT

Complies to RoHS Standards

INSTALLATION

Pic Die Set

Center Contact
M22520 / 5 - 01 Tool,
PIC 190318 Hex Crimp Die
(.098 hex)

Crimp Ferrule

M22520 / 5 - 01 Tool,
PIC 190318 Hex Crimp Die
(.324/.392 hex)

MIL Spec Die Set

Center Contact
M22520 / 5-01 Tool,
MIL Spec *M22520 / 5-29
(.100 B hex)

Crimp Ferrule

M22520 / 5-01 Tool,
MIL Spec *M22520 / 5-29
(.324 A hex)

CONSTRUCTION

Materials:

Body	Brass, ASTM-B16, Alloy UNS 36000, H02
Center Contact	Brass, ASTM-B16, Alloy UNS 36000, H02
Ferrule	Brass, ASTM-B16, Alloy UNS 36000, Dead Soft, Weatherseals included
Dielectric	TFE Fluorocarbon, ASTM-D1710, Type 1, Grade 1

Finish :

Body, Ferrule	Nickel
Center Contact	Gold

Applicable Standards

MIL-STD 348
MIL-PRF-39012

Notes :

- 1) A 2.5" piece of Raychem ATUM heat shrink P/N ATUM-16/4-0 provided with connector for purpose of strain relief & moisture protection.
- 2) Please refer to T-190XXX Termination Instruction sheet for strip dimensions & instructions.

* Note - MIL Spec die to be used on the smaller diameter area of ferrule only. Not the larger "Bell" area on end.