

PIC Wire & Cable

Connector Specification

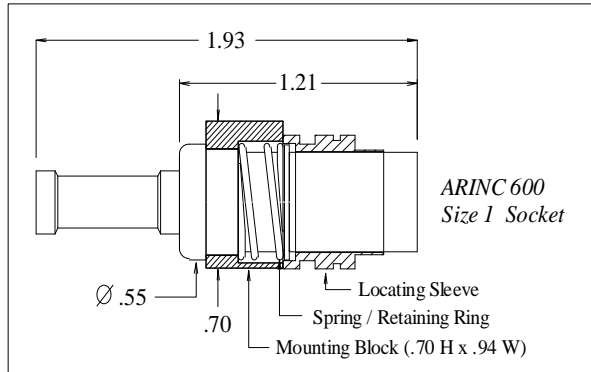
P/N 190101

A Division of the Angelus Corporation
 Ph (262) 246-0500 Fax (262) 246-0450 www.picwire.com
 PO Box 330 Sussex, WI 53089

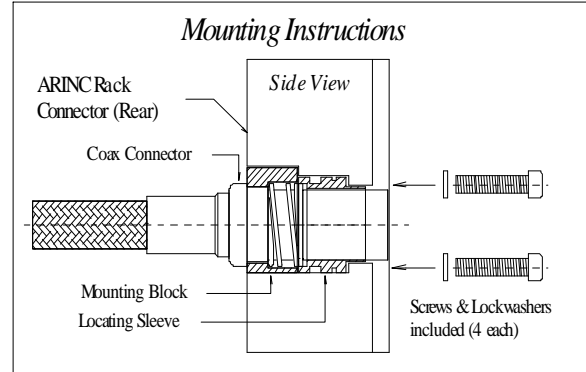
Approved : *MCT*
 Distribution : USER

Date 05/14/99
 Rev. 3 (06/16/14)
 Uncontrolled Document

ARINC 600 Size 1 Socket
 for S44191, S44193, S46191
 or RG400, RG142



Features Not Shown : Mounting Screws (4 ea), Lockwashers (4 ea)



PERFORMANCE

Nominal Impedance	50 Ohms
Frequency Range	0 - 5 GHz
Voltage Rating	1000 VRMS
Insulation Resistance	5000 Megohms

CONNECTOR WEIGHT (Each)

1.34 ounces (39.63 grams)

RoHS COMPLIANT

Complies to RoHS Standards

INSTALLATION

Pic Die Set	MIL Spec Die Set
Center Contact	Center Contact
M22520 / 5 - 01 Tool, PIC 190118 Hex Crimp Die (.098 hex)	M22520 / 5-01 Tool, MIL Spec *M22520 / 5-57 (.100 B hex)
Crimp Ferrule	Crimp Ferrule
M22520 / 5 - 01 Tool, PIC 190118 Hex Crimp Die (.213/.261 hex)	M22520 / 5-01 Tool, MIL Spec *M22520 / 5-57 (.213 A hex)

CONSTRUCTION

Materials:

Body	Brass, ASTM-B16, Alloy UNS 36000, H02
Center Contact	Beryllium Copper, ASTM-B196, Alloy UNS C17300
Ferrule	Brass, ASTM-B16, Alloy UNS 36000, Dead Soft, Weatherseals included
Dielectric	TFE Fluorocarbon, ASTM-D1710, Type 1, Grade 1
Spring, Retaining Ring	Stainless Steel
Mounting Block	Aluminum, Alloy 6061 T6

Finish :

Body, Ferrule	Gold
Center Contact	Gold
Spring, Retaining Ring	Passivated
Mounting Block	Iridite

Applicable Standards ARINC 600

- Notes:**
- 1) A 1.5" piece of Raychem ATUM heat shrink P/N ATUM-16/4-0 provided with connector for purpose of strain relief & moisture protection.
 - 2) Please refer to T-190XXX Termination Instruction sheet for strip dimensions & instructions.

* Note - MIL Spec die to be used on the smaller diameter area of ferrule only. Not the larger "Bell" areas on each end.