


<b>PIC Wire &amp; Cable</b>	<b>Connector Specification</b>	<b>P/N 190061 (-*)</b>
<i>A Division of the Angelus Corporation</i> Ph (262) 246-0500 Fax (262) 246-0450 www.picwire.com PO Box 330 Sussex, WI 53089	Approved : 	Date : 08/16/12
	Distribution : User	Rev. 5 (10/19/17)
		Uncontrolled if Printed

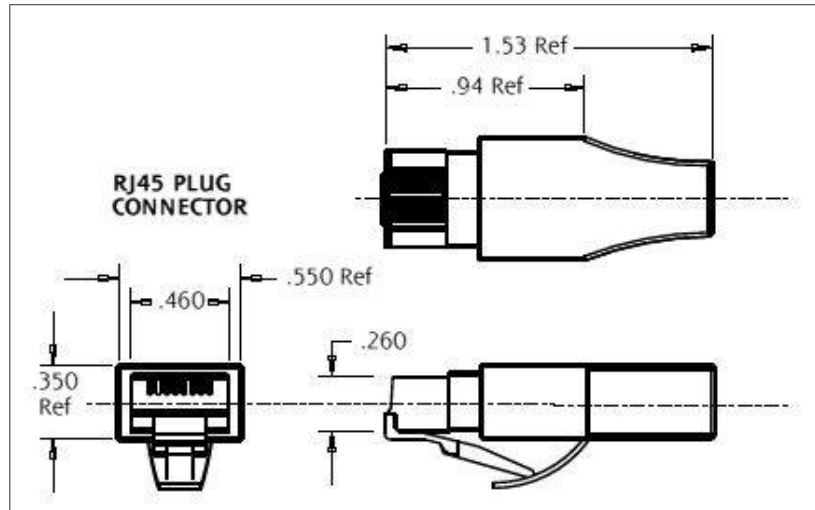
### RJ45 Ethernet Plug Connector w/Protective Boot

(Connector has 4 cable conductor wire holes of 0.060")

(Contacts @ Positions 1, 2, 3, and 6 only)

\* See Table Below for P/N

190061 = RJ45 Plug w/ Blue Boot (standard)
190061-BK = RJ45 Plug w/ Black Boot
190061-RD = RJ45 Plug w/ Red Boot



Drawing above is not to scale

#### PERFORMANCE

Exceeds ANSI/TIA/EIA Cat 6

Current / Voltage : 1.5 Amps @ 30 VAC / 42 VDC

Contact Resistance : 10 milliOhms Max

#### ENVIRONMENTAL

Temperature Rating : -40° C to +85° C

Insertion / Extraction : 1000 cycles

#### CONNECTOR WEIGHT

0.18 ounces (4.99 grams)

#### RoHS COMPLIANT

Complies to RoHS Standards

#### REQUIRED TOOLING

Crimp Tool P/N 110340  
(Alternate) P/N 110274

#### CONSTRUCTION

##### *Materials:*

Plug Housing : Polycarbonate, Blue Tint, 94-V0

Contacts : Phosphor Bronze, 0.012" thk

Rear Shield : Copper Alloy

Inner Ferrule : Copper Alloy

Protective Boot : Thermoplastic Rubber, 94-V0

Strain Relief : ATUM Dual Wall Shrink Tube  
(MIL-DTL-23053/4, Class 3)

##### *Finish :*

Contacts : Gold

Rear Shield, Inner Ferrule : Tin

#### APPLICABLE STANDARDS

ANSI/TIA-1096-A  
ANSI/TIA/EIA 568-C.2

##### *Notes :*

1) Please refer to T-190061 Termination Instruction sheet for strip dimensions & instructions.