
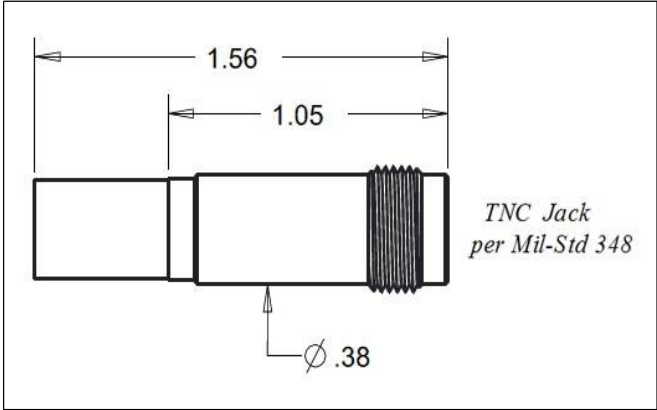


<b>PIC Wire &amp; Cable</b>	<b>Connector Specification</b>	<b>P/N 150523</b>
<i>A Division of the Angelus Corporation</i> Ph (262) 246-0500 Fax (262) 246-0450 www.picwire.com PO Box 330 Sussex, WI 53089	Approved : 	Date : 10/04/16
	Distribution : USER	Rev. 2 (07/06/17)
		Uncontrolled if Printed

**TNC 50 Ohm Inline Jack**  
*for UH67163*



**PERFORMANCE**

Nominal Impedance :	50 Ohms
Frequency Range :	0 - 12 GHz
Voltage Rating :	500 V(rms)
Insulation Resistance :	5000 Megohms min.
Insertion Loss :	0.12 $\overline{F(\text{GHz})}$

**CONNECTOR WEIGHT (Each)**

0.51 ounces (14.51 grams)

**RoHS COMPLIANT**

Complies to RoHS Standards

**INSTALLATION**

***Center Contact***

Solder Only

***Crimp Ferrule***

M22520 / 5-01 Tool  
 M22520 / 5-41 Die Set  
 (.290" A hex)

**CONSTRUCTION**

***Materials:***

Body	Brass, ASTM-B16, Alloy UNS 36000, H02
Cable Contact	Beryllium Copper, ASTM-B196, Alloy UNS C17300
Ferrule	Brass, ASTM-B16, Alloy UNS 36000, Dead Soft,
Dielectric	TFE Fluorocarbon, ASTM-D1710, Type 1, Grade 1

***Finish :***

Body, Ferrule	Nickel
Center Contact	Gold

**APPLICABLE STANDARDS**

MIL-STD 348, MIL-PRF-39012

***Notes :***

- 1) A 1.5" piece of Raychem ATUM heat shrink P/N ATUM-12/3-0 provided with connector for purpose of strain relief & moisture protection.
- 2) Please refer to T-1505XX Termination Instruction sheet for strip dimensions & instructions.