

**PIC Wire & Cable****Connector Specification****P/N 150521***A Division of the Angelus Corporation*

Ph (262) 246-0500 Fax (262) 246-0450 www.picwire.com

PO Box 330 Sussex, WI 53089

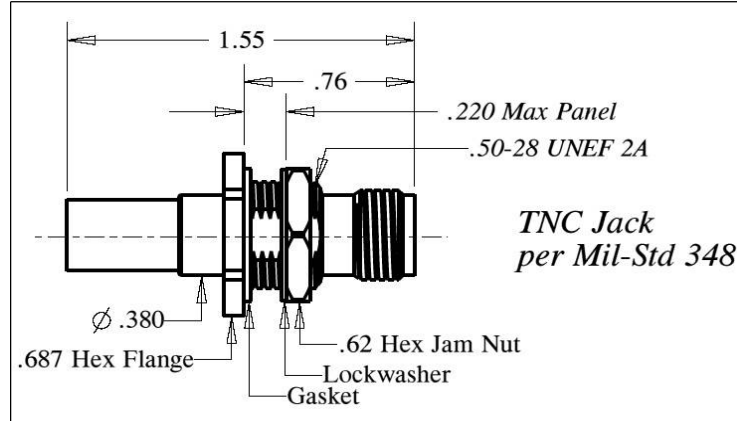
Approved :

Date : 03/02/15

Rev. 2 (02/15/17)

Distribution : USER

Uncontrolled if Printed

**TNC (50 Ohm) Bulkhead Jack**  
*for UH67163**Recommended Jam Nut Torque - 35 to 40 in. lbs.***PERFORMANCE**

Nominal Impedance :	50 Ohms
Frequency Range :	0 - 12 GHz
Voltage Rating :	500 V(rms)
Insulation Resistance :	5000 Megohms min.
Insertion Loss :	0.06 $\frac{1}{F(\text{GHz})}$

**CONNECTOR WEIGHT (Each)**

0.79 ounces (22.45 grams)

**RoHS COMPLIANT**

Complies to RoHS Standards

**INSTALLATION****Center Contact**

Solder Only

**Crimp Ferrule**

M22520 / 5-01 Tool

M22520 / 5-41 Die Set

(.290" A hex)

**CONSTRUCTION****Materials:**

Body	Brass, ASTM-B16, Alloy UNS 36000, H02
Cable Contact	Beryllium Copper, ASTM-B196, Alloy UNS C17300
Ferrule	Brass, ASTM-B16, Alloy UNS 36000, Dead Soft,
Dielectric	TFE Fluorocarbon, ASTM-D1710, Type 1, Grade 1
Gasket	Silicone Rubber

**Finish :**

Body, Ferrule	Nickel
Center Contact	Gold

**APPLICABLE STANDARDS**

MIL-STD 348, MIL-PRF-39012

**Notes :**

- 1) A 1.5" piece of Raychem ATUM heat shrink P/N ATUM-12/3-0 provided with connector for purpose of strain relief & moisture protection.
- 2) Please refer to T-1505XX Termination Instruction sheet for strip dimensions & instructions.