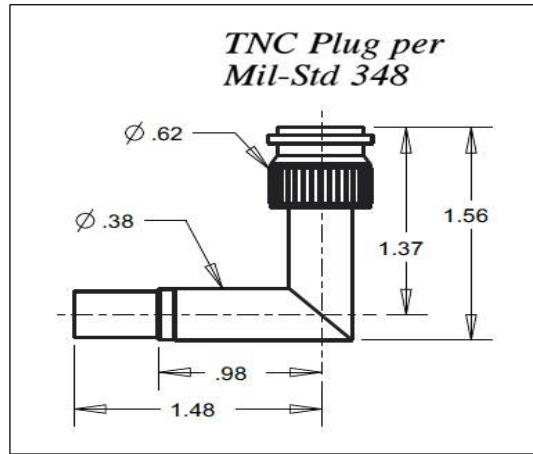


A Division of the Angelus Corporation  
 Ph (262) 246-0500 Fax (262) 246-0450 www.picwire.com  
 PO Box 330 Sussex, WI 53089

Approved : *MES*  
 Distribution : USER

Date : 07/14/16  
 Rev : 2 (02/09/17)  
 Uncontrolled if Printed

**TNC (50 Ohm) 90° Plug, Ext. Length**  
*for UH67163*



Features Not Shown : Safety Wire Holes, Gasket in Front

**PERFORMANCE**

Nominal Impedance :	50 Ohms
Frequency Range :	0 - 12 GHz
Voltage Rating :	500 V(rms)
Insulation Resistance :	5000 Megohms min.
Insertion Loss :	0.07 $\overline{F(\text{GHz})}$

**CONNECTOR WEIGHT (Each)**

1.27 ounces (36.06 grams)

**RoHS COMPLIANT**

Complies to RoHS Standards

**INSTALLATION**

**Center Contact**

Solder Only

**Crimp Ferrule**

M22520 / 5-01 Tool  
 M22520 / 5-41 Die Set  
 (.290" A hex)

**CONSTRUCTION**

**Materials:**

Body	Brass, ASTM-B16, Alloy UNS 36000, H02
Connector Contact	Brass, ASTM-B16, Alloy UNS 36000, H02
Outer Contact	Beryllium Copper, ASTM-B196, Alloy UNS C17300
Cable Contact	Beryllium Copper, ASTM-B196, Alloy UNS C17300
Ferrule	Brass, ASTM-B16, Alloy UNS 36000, Dead Soft,
Dielectric	TFE Fluorocarbon, ASTM-D1710, Type 1, Grade 1
Gasket	Silicone Rubber

**Finish :**

Body, Ferrule	Nickel
Center Contact	Gold

**APPLICABLE STANDARDS**

MIL-STD 348, MIL-PRF-39012

**Notes :**

- 1) A 1.5" piece of Raychem ATUM heat shrink P/N ATUM-12/3-0 provided with connector for purpose of strain relief & moisture protection.
- 2) Please refer to T-1505XX Termination Instruction sheet for strip dimensions & instructions.