


PIC Wire & Cable**Connector Specification****P/N 150508***A Division of the Angelus Corporation*

Ph (262) 246-0500 Fax (262) 246-0450 www.picwire.com

PO Box 330 Sussex, WI 53089

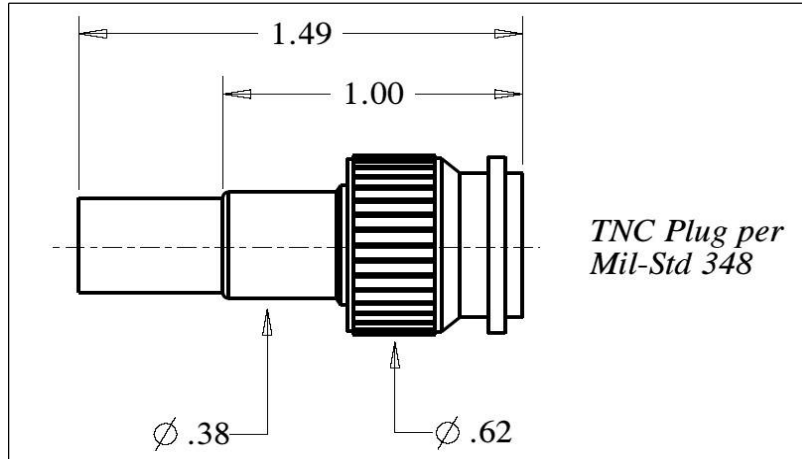
Approved : 

Date : 03/02/15

Rev. 1 (02/09/17)

Distribution : USER

Uncontrolled if Printed

TNC 50 Ohm Straight Plug
for UH67163*Features Not Shown : Safety Wire Holes, Gasket in Front***PERFORMANCE**

Nominal Impedance :	50 Ohms
Frequency Range :	0 - 12 GHz
Voltage Rating :	500 V(rms)
Insulation Resistance :	5000 Megohms min.
Insertion Loss :	0.06 $\overline{F(\text{GHz})}$

CONNECTOR WEIGHT (Each)

0.81 ounces (22.91 grams)

RoHS COMPLIANT

Complies to RoHS Standards

INSTALLATION**Center Contact**

Solder Only

Crimp Ferrule

M22520 / 5-01 Tool

M22520 / 5-41 Die Set

(.290" A hex)

CONSTRUCTION**Materials:**

Body	Brass, ASTM-B16, Alloy UNS 36000, H02
Outer Contact	Beryllium Copper, ASTM-B196, Alloy UNS C17300
Cable Contact	Brass, ASTM-B16, Alloy UNS 36000, H02
Ferrule	Brass, ASTM-B16, Alloy UNS 36000, Dead Soft,
Dielectric	TFE Fluorocarbon, ASTM-D1710, Type 1, Grade 1
Gasket	Silicone Rubber

Finish :

Body, Ferrule	Nickel
Center Contact	Gold

APPLICABLE STANDARDS

MIL-STD 348, MIL-PRF-39012

Notes :

- 1) A 1.5" piece of Raychem ATUM heat shrink P/N ATUM-12/3-0 provided with connector for purpose of strain relief & moisture protection.
- 2) Please refer to T-1505XX Termination Instruction sheet for strip dimensions & instructions.