

A Division of the Angelus Corporation
 Ph (262) 246-0500 Fax (262) 246-0450 www.picwire.com
 PO Box 330 Sussex, WI 53089

Approved : PFT

Date : 02/09/17

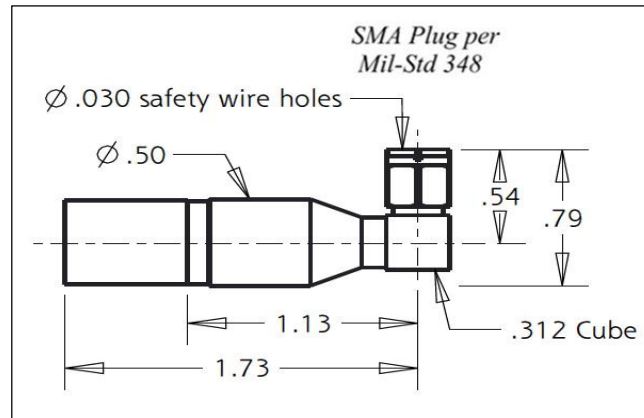
Rev. 3 : (10/24/19)

Distribution : USER

Uncontrolled if Printed

SMA (50 Ohm) 90° Plug

for UH22089



Features Not Shown : Interface Gasket

PERFORMANCE

Nominal Impedance :	50 Ohms
Frequency Range :	0 - 12 GHz
Voltage Rating :	335 V(rms)
Insulation Resistance :	5000 Megohms
DW Voltage :	750 V (rms)
Insertion Loss (max) :	0.52 dB max @ 12 GHz
Insertion Loss :	$0.15 \sqrt{F(\text{GHz})}$
Temperature Rating :	-65° to +165° C

CONNECTOR WEIGHT (Each)

0.95 ounces (26.7 grams)

RoHS COMPLIANT

Complies to RoHS Standards

INSTALLATION**Center Contact**

Solder Only

Crimp Ferrule

M22520 / 5-01 Tool

M22520 / 5-25 Die Set

(.429" A hex)

CONSTRUCTION**Materials:**

Body	Stainless Steel, ASTM-A582, Alloy UNS S30300
Connector Contact	Beryllium Copper, ASTM-B196, Alloy UNS C17300
Cable Contact	Brass, ASTM-B16, Alloy UNS 36000, H02
Ferrule	Brass, ASTM-B16, Alloy UNS 36000, Dead Soft, Or Copper, ASTM-B152, Alloy C12200
Dielectric	TFE Fluorocarbon, ASTM-D1710, Type 1, Grade 1
Gasket	Silicone Rubber

Finish :

Body	Passivated
Ferrule	Nickel
Center Contact	Gold

APPLICABLE STANDARDS

MIL-STD 348, MIL-PRF-39012

Notes :

1) A 2.0" piece of Raychem ATUM heat shrink
 P/N ATUM-16/4-0 provided with connector for
 purpose of strain relief & moisture protection.

2) Please refer to T-1504XX Termination Instruction
 sheet for strip dimensions & instructions.