

A Division of the Angelus Corporation

Ph (262) 246-0500 Fax (262) 246-0450 www.picwire.com

PO Box 330 Sussex, WI 53089

Approved : *M E J*

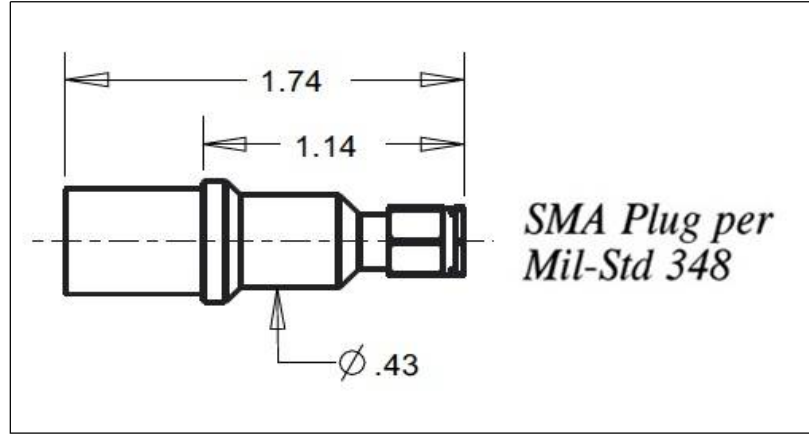
Date : 07/07/16

Rev. 2 (02/15/17)

Distribution : USER

Uncontrolled if Printed

SMA (50 Ohm) Straight Plug
for UH22089



Features Not Shown : Safety Wire Holes, Gasket in Front

PERFORMANCE

Nominal Impedance :	50 Ohms
Frequency Range :	0 - 12 GHz
Voltage Rating :	500 V(rms)
Insulation Resistance :	5000 Megohms min.
Insertion Loss :	0.06 $\overline{F(\text{GHz})}$

CONNECTOR WEIGHT (Each)

0.63 ounces (17.80 grams)

RoHS COMPLIANT

Complies to RoHS Standards

INSTALLATION

Center Contact

Solder Only

Crimp Ferrule

M22520 / 5-01 Tool

M22520 / 5-25 Die Set

(.429" A hex)

CONSTRUCTION

Materials:

Body	Stainless Steel, ASTM-A582, Alloy UNS S30300
Cable Contact	Beryllium Copper, ASTM-B196, Alloy UNS C17300
Ferrule	Brass, ASTM-B16, Alloy UNS 36000, Dead Soft,
Dielectric	TFE Fluorocarbon, ASTM-D1710, Type 1, Grade 1
Gasket	Silicone Rubber

Finish :

Body	Passivated
Ferrule	Nickel
Center Contact	Gold

APPLICABLE STANDARDS

MIL-STD 348, MIL-PRF-39012

Notes :

1) A 2.0" piece of Raychem ATUM heat shrink P/N ATUM-16/4-0 provided with connector for purpose of strain relief & moisture protection.

2) Please refer to T-1504XX Termination Instruction sheet for strip dimensions & instructions.