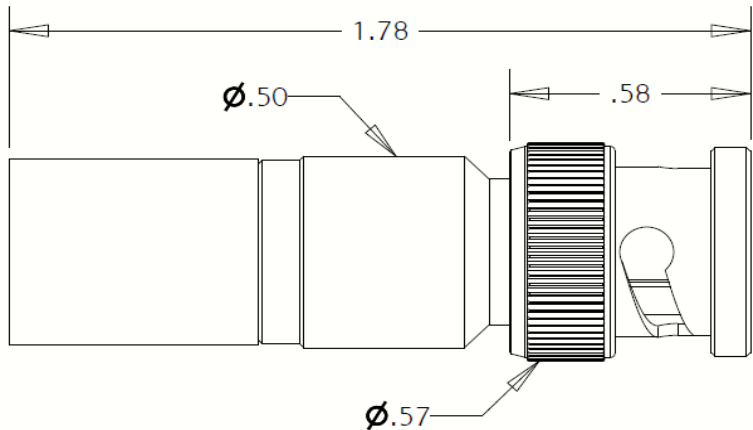


PIC Wire & Cable	Connector Specification	P/N 150412
<i>A Division of the Angelus Corporation</i> Ph (262) 246-0500 Fax (262) 246-0450 www.picwire.com PO Box 330 Sussex, WI 53089	Approved : <i>PFT</i>	Date : 10/30/18
	Distribution : USER	Rev : 1 (10/24/19)
		Uncontrolled if Printed

BNC Straight Plug
for UH22089



Features Not Shown : Interface Gasket

PERFORMANCE

Nominal Impedance :	50 Ohms
Frequency Range :	0 - 4 GHz
Voltage Rating :	500 V(rms)
Insulation Resistance :	5000 Megohms
DW Voltage :	1500 V (rms)
Insertion Loss (max) :	0.24 dB max @ 4 GHz
Insertion Loss :	0.12 $\sqrt{f(\text{GHz})}$
Temperature Rating :	-65° to +165° C

CONNECTOR WEIGHT (Each)

0.93 oz (26.44 grams)

RoHS COMPLIANT

Complies to RoHS Standards

INSTALLATION

Center Contact

Solder Only

Crimp Ferrule

M22520 / 5-01 Tool
M22520 / 5-25 Die Set
(.429" A hex)

CONSTRUCTION

Materials:

Body	Brass, ASTM-B16, Alloy UNS 36000, H02
Outer Contact	Beryllium Copper, ASTM-B196, Alloy UNS C17300
Cable Contact	Brass, ASTM-B16, Alloy UNS 36000, H02
Ferrule	Brass, ASTM-B16, Alloy UNS 36000, Dead Soft, Or Copper, ASTM-B152, Alloy C12200
Dielectric	TFE Fluorocarbon, ASTM-D1710, Type 1, Grade 1
Gasket	Silicone Rubber

Finish :

Body, Ferrule	Nickel
Center Contact	Gold

APPLICABLE STANDARDS

MIL-STD 348, MIL-PRF-39012

*Notes : 1) A 2.0" piece of Raychem ATUM heat shrink
P/N ATUM-16/4-0 provided with connector for
purpose of strain relief & moisture protection.*

*2) Please refer to T-1504XX Termination Instruction
sheet for strip dimensions & instructions.*