

**PIC Wire & Cable****Connector Specification****P/N 150409***A Division of the Angelus Corporation*

Ph (262) 246-0500 Fax (262) 246-0450 www.picwire.com

PO Box 330 Sussex, WI 53089

Approved :

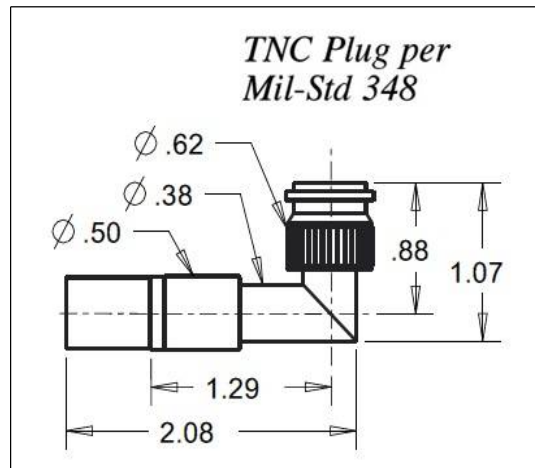
*MCT*

Date : 06/28/16

Rev. 2 (02/09/17)

Distribution : USER

Uncontrolled if Printed

**TNC (50 Ohm) 90° Plug**  
*for UH22089**Features Not Shown : Safety Wire Holes, Gasket in Front***PERFORMANCE**

Nominal Impedance :	50 Ohms
Frequency Range :	0 - 12 GHz
Voltage Rating :	500 V(rms)
Insulation Resistance :	5000 Megohms min.
Insertion Loss :	0.07 $\overline{F(\text{GHz})}$

**CONNECTOR WEIGHT (Each)**

1.50 ounces (42.41 grams)

**RoHS COMPLIANT**

Complies to RoHS Standards

**INSTALLATION****Center Contact**

Solder Only

**Crimp Ferrule**

M22520 / 5-01 Tool

M22520 / 5-25 Die Set

(.429" A hex)

**CONSTRUCTION****Materials:**

Body	Brass, ASTM-B16, Alloy UNS 36000, H02
Connector Contact	Beryllium Copper, ASTM-B196, Alloy UNS C17300
Outer Contact	Beryllium Copper, ASTM-B196, Alloy UNS C17300
Cable Contact	Brass, ASTM-B16, Alloy UNS 36000, H02
Ferrule	Brass, ASTM-B16, Alloy UNS 36000, Dead Soft,
Dielectric	TFE Fluorocarbon, ASTM-D1710, Type 1, Grade 1
Gasket	Silicone Rubber

**Finish :**

Body, Ferrule	Nickel
Center Contact	Gold

**APPLICABLE STANDARDS**

MIL-STD 348, MIL-PRF-39012

**Notes :**

1) A 2.0" piece of Raychem ATUM heat shrink  
P/N ATUM-16/4-0 provided with connector for  
purpose of strain relief & moisture protection.

2) Please refer to T-1504XX Termination Instruction  
sheet for strip dimensions & instructions.