
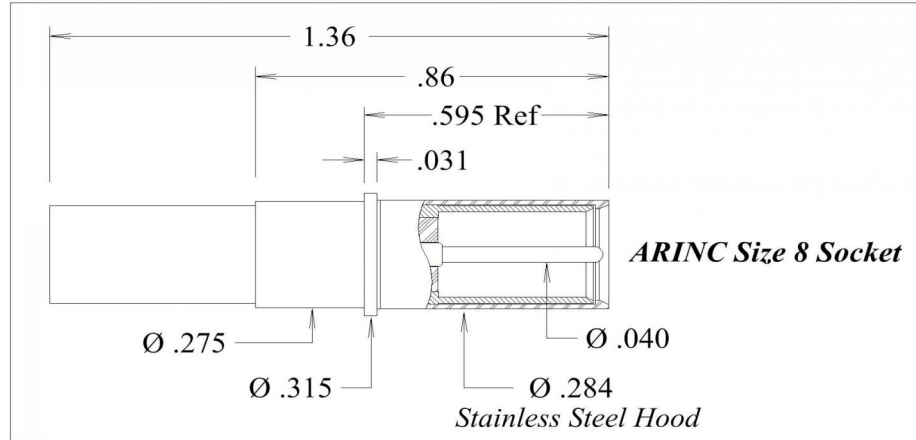


PIC Wire & Cable	Connector Specification	P/N 150129
<i>A Division of the Angelus Corporation</i> Ph (262) 246-0500 Fax (262) 246-0450 www.picwire.com PO Box 330 Sussex, WI 53089	Approved : 	Date : 07/14/16
	Distribution : USER	Rev : 2 (03/13/17)
		Uncontrolled if Printed

ARINC 600 Size 8 Coaxial Socket Contact
for UH44193



PERFORMANCE

Nominal Impedance : 50 Ohms
 Frequency Range : 0 - 5 GHz
 Voltage Rating : 350 V(rms)
 Insulation Resistance : 5000 Megohms min.

CONNECTOR WEIGHT (Each)

0.26 ounces (7.37 grams)

RoHS COMPLIANT

Complies to RoHS Standards

INSTALLATION

Center Contact

M22520 / 1-01 Tool
 Selector Dial Setting #8
 Positioner : M22520 / 1-09

Crimp Ferrule

M22520 / 5-01 Tool
 M22520 / 5-11 Die Set
 (.213" A hex)

CONSTRUCTION

Materials:

Body	Beryllium Copper, ASTM-B196, Alloy UNS C17300
Outer Hood	Stainless Steel, ASTM-A582, Alloy UNS S30300
Center Contact	Brass, ASTM-B16, Alloy UNS 36000, H02
Ferrule	Brass, ASTM-B16, Alloy UNS 36000, Dead Soft,
Dielectric	TFE Fluorocarbon, ASTM-D1710, Type 1, Grade 1

Finish :

Body, Ferrule	Gold
Center Contact	Gold
Outer Hood	Passivated Stainless

APPLICABLE STANDARDS

ARINC 600

Notes :

- 1) Please refer to T-1501XX Termination Instruction sheet for strip dimensions & instructions.
- 2) Removal Tool P/N M81969/14-12