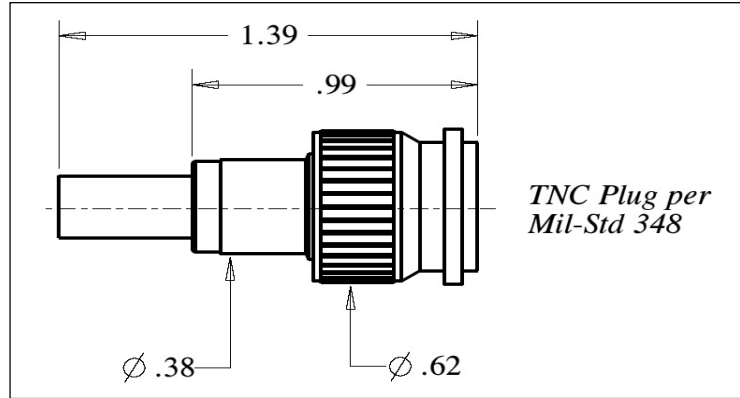


| | | |
|--|--------------------------------|-------------------------|
| PIC Wire & Cable | Connector Specification | P/N 150108 |
| A Division of the Angelus Corporation Ph (262) 246-0500 Fax (262) 246-0450 www.picwire.com PO Box 330 Sussex, WI 53089 | Approved : <i>PFT</i> | Date : 03/02/15 |
| | Distribution : USER | Rev. 3 (10/23/19) |
| | | Uncontrolled if Printed |

TNC 50 Ohm Straight Plug
for UH44193



Features Not Shown : Safety Wire Holes, Gasket in Front

PERFORMANCE

| | |
|-------------------------|-----------------------------|
| Nominal Impedance : | 50 Ohms |
| Frequency Range : | 0 - 12 GHz |
| Voltage Rating : | 500 V(rms) |
| Insulation Resistance : | 5000 Megohms |
| DW Voltage : | 1500 V (rms) |
| Insertion Loss (max) : | 0.20 dB max @ 12 GHz |
| Insertion Loss : | $0.06 \sqrt{F(\text{GHz})}$ |
| Temperature Rating : | -65° to +165° C |

CONNECTOR WEIGHT (Each)

0.74 ounces (21.09 grams)

RoHS COMPLIANT

Complies to RoHS Standards

INSTALLATION

Center Contact

M22520 / 1-01 Tool
Selector Dial Setting #8
Positioner : M22520 / 1-09

Crimp Ferrule

M22520 / 5-01 Tool
M22520 / 5-11 Die Set
(.213" A hex)

CONSTRUCTION

Materials:

| | |
|---------------|--|
| Body | Brass, ASTM-B16, Alloy UNS 36000, H02 |
| Outer Contact | Beryllium Copper, ASTM-B196, Alloy UNS C17300 |
| Cable Contact | Brass, ASTM-B16, Alloy UNS 36000, H02 |
| Ferrule | Brass, ASTM-B16, Alloy UNS 36000, Dead Soft, Or Copper, ASTM-B152, Alloy C12200 |
| Dielectric | TFE Fluorocarbon, ASTM-D1710, Type 1, Grade 1 |
| Gasket | Silicone Rubber |

Finish :

| | |
|----------------|--------|
| Body, Ferrule | Nickel |
| Center Contact | Gold |

APPLICABLE STANDARDS

MIL-STD 348, MIL-PRF-39012

Notes :

- 1) A 1.5" piece of Raychem ATUM heat shrink P/N ATUM-12/3-0 provided with connector for purpose of strain relief & moisture protection.
- 2) Please refer to T-1501XX Termination Instruction sheet for strip dimensions & instructions.