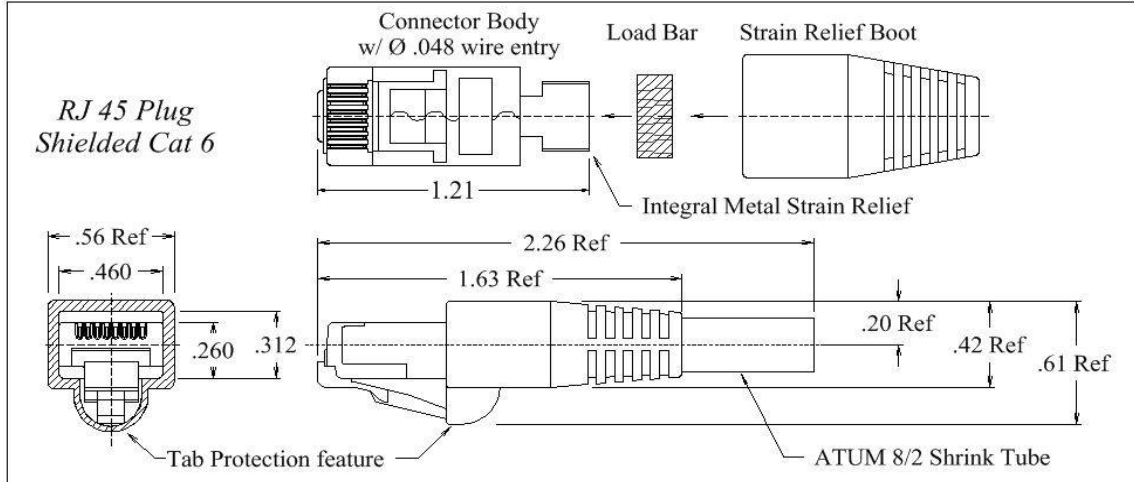


PIC Wire & Cable	Connector Specification	P/N 110726
<i>A Division of the Angelus Corporation</i> Ph (262) 246-0500 Fax (262) 246-0450 www.picwire.com PO Box 330 Sussex, WI 53089	Approved : <i>MCT</i>	Date : 09/18/13
	Distribution : USER	Rev. 2 (06/10/14) Uncontrolled if Printed

**RJ45 Plug Connector
Shielded Cat 6**

(For conductors with an OD range of 0.044 to 0.048")



PERFORMANCE

Exceeds ANSI/TIA/EIA Cat 6
Performance Tuned to CAT 6 cables

Current/Voltage 1.5 Amps @ 30 VAC/42 VDC

Contact Resistance 10 milliOhms Max

ENVIRONMENTAL

Temperature Rating - 40° C to + 85° C

Insertion/Extraction 1000 Cycles

Flame Auto Extinguish UL 94-VO

CONNECTOR WEIGHT (Each)

0.20 ounces (5.67 grams)

RoHS COMPLIANT

Complies to RoHS Standards

REQUIRED TOOLING (2)

Crimp Tool P/N 110288

CONSTRUCTION

Materials:

Plug Housing	Polycarbonate
Contacts	Phosphor Bronze, 0.012" thick
Load Bar	Polycarbonate
Shielding	Brass, Alloy 70/30, 1/4 HD
Protective Boot	Thermoplastic Rubber
Strain Relief (1)	ATUM Dual Wall Shrink Tube (2 ea) (MIL-DTL-23053/4, Class 3)

Finish:

Shield	Tin
Contacts	Gold

Applicable Standards :

ANSI/TIA-1096-A
ANSI/TIA/EIA 568-C.2

Notes :

- (1) A 1.0" & 3/4" piece of Tyco ATUM heat shrink P/N ATUM-8/2-0 provided with connector for purpose of strain relief & moisture protection.
- (2) Please refer to applicable T-110726-(x) Termination Instruction Sheet for strip dimensions & instructions.