

PIC Wire & Cable

A Division of the Angelus Corporation

Ph 262-246-0500

Fax 262-246-0450

PO Box 330 Sussex, WI 53089

Connector Specification

110237

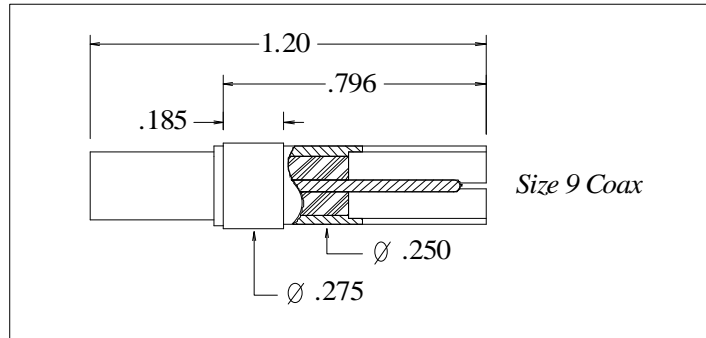
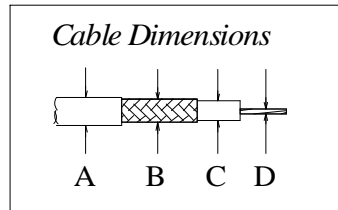
Approved

Date 09/18/00

Rev. 4 (05/01/08)

Distribution : USER

Size 9 Socket for V75268 / V76261 / V73263



CABLE DIMENSIONS

A	Jacket (overall) O.D.	122 / .125
B	Over-shields O.D.	102 / .107
C	Dielectric O.D.	.086
D	Center conductor O.D.	.019

PERFORMANCE

Nominal Impedance	50 Ohms
Frequency Range	0 - 500 MHz
Voltage Rating	500 VRMS
Insulation Resistance	5000 Megohms

CONSTRUCTION

Materials:

Body	Beryllium Copper, ASTM-B196, Alloy UNS C17300
Center Contact	Brass, ASTM-B16, Alloy UNS 36000, H02
Ferrule	Brass, ASTM-B16, Alloy UNS 36000, Dead Soft
Dielectric	TFE Fluorocarbon, ASTM-D1710, Type 1, Grade 1

Finish : Gold

Applicable Standards MIL-C-81659

INSTALLATION

Crimp Tooling:

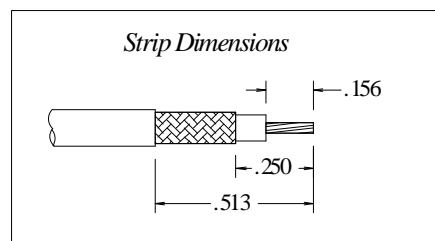
Center Contact	M22520 / 2 - 01 Tool, Selector Dial @ # 5 Recommended Positioner : PIC # 110245 (Daniels # K908)
Crimp Ferrule	Die Set M22520 / 5 - 41 , Cavity B (.178" hex) M22520/5-01 tool

CONNECTOR WEIGHT (Each)

.19 ounces (5.39 grams)

RoHS COMPLIANT

Complies to RoHS Standards



CONFIDENTIAL/PROPRIETARY: NEITHER THIS SPECIFICATION, NOR A PRODUCT OF THIS SPECIFICATION SHALL BE USED, COPIED, REPRODUCED OR DISCLOSED IN WHOLE OR IN PART WITHOUT THE WRITTEN CONSENT OF PIC WIRE & CABLE.