
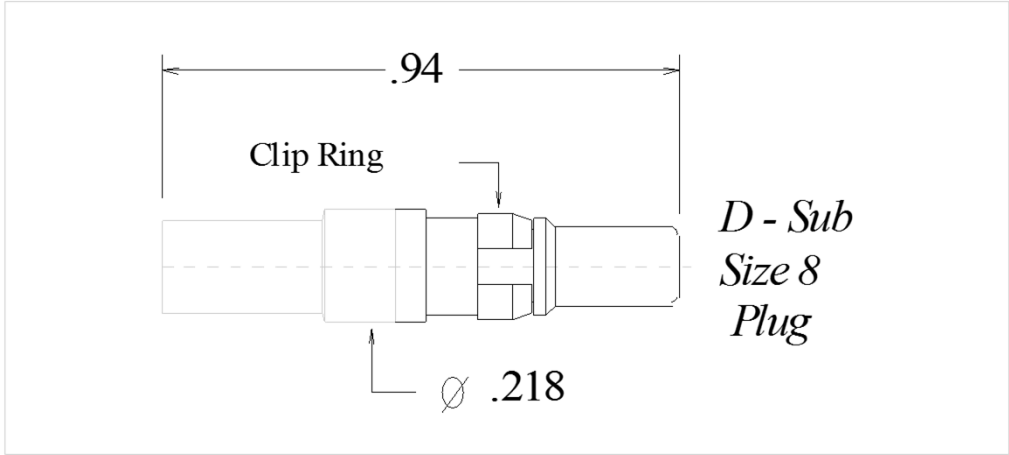


<b>PIC Wire &amp; Cable</b>	<b>Connector Specification</b>	<b>P/N 110235</b>
<i>A Division of the Angelus Corporation</i> Ph (262) 246-0500 Fax (262) 246-0450 www.picwire.com PO Box 330 Sussex, WI 53089	Approved : 	Date : 09/25/10
	Distribution : USER	Rev : 8 (10/12/18) Uncontrolled if Printed

**D-Sub Size 8 Pin (Plug) Contact**  
*(for V75268 / V76261 / V73263)*

*Note : Use with PIC PN 110236 Contact Only*



**PERFORMANCE**

Impedance :	75 Ohms
Frequency Range :	0 - 2 GHz
Insertion Loss :	0.5 dB max @ 2 GHz
Voltage Rating :	1000 V (rms)
Insulation Resistance :	5000 Megohms min.
Dielectric Withstanding Voltage :	1500 V(rms)

**CONNECTOR WEIGHT (Each)**

0.09 ounces (2.55 grams)

**RoHS COMPLIANT**

Complies to RoHS Standards

**INSTALLATION (Tooling)**

**Center Contact**

M22520/2-01 Tool, Dial Setting #5  
 Positioner : PIC PN 110201 (Daniels K1300)

**Crimp Ferrule**

M22520 / 5 - 01 Tool  
 Die Set M22520 / 5 - 37  
 Cavity B (.151" hex)  
 PIC P/N 110283, (Daniels # Y138)

**CONSTRUCTION**

**Materials:**

Body	Brass, ASTM-B16, Alloy UNS 36000, H02
Center Contact	Beryllium Copper, ASTM-B196, Alloy UNS C17300
Ferrule	Brass, ASTM-B16, Alloy UNS 36000, Dead Soft
Dielectric	PTFE Fluorocarbon, ASTM-1457
Clip Ring	Beryllium Copper, ASTM-B194

**Finish :**

Body, Contact, Ferrule	Gold, MIL-G-45204
Clip Ring	Nickel, QQ-N-290

**APPLICABLE STANDARDS**

DSCC Specification 89058

**Notes :**

- 1) Please refer to T-1907XX Termination Instruction sheet for strip dimensions & instructions.
- 2) Recommended Removal Tools :  
 Palco P/N T0100-K, Positronics P/N 4311-0-0-0,  
 or ITT P/N CET-C6B