

PIC Wire & Cable

A Division of the Angelus Corporation

Ph 262-246-0500

Fax 262-246-0450

PO Box 330 Sussex, WI 53089

Connector Specification

110195

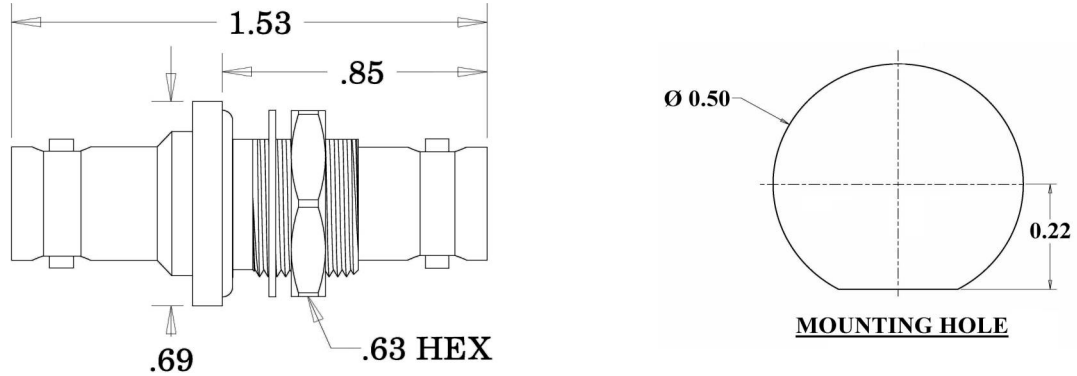
Approved

Date 01/08/10

Rev 1 (4/27/10)

Distribution : USER

Hermetically Sealed BNC Jack to Jack Bulkhead Adapter



PERFORMANCE

| | |
|-------------------|------------|
| Nominal Impedance | 50 Ohms |
| Frequency Range | DC - 4 GHz |
| Working Voltage | 500 VRMS |

Applicable Standards

| |
|-------------|
| MIL-STD 348 |
| MIL-C-39012 |

CONSTRUCTION

Materials:

| | |
|----------------|------------------|
| Body | Brass |
| Gasket | Silicone Rubber |
| Center Contact | Beryllium Copper |
| Insulator | Teflon |
| Lockwasher | Phosphor Bronze |

Finish :

| | |
|----------------|--------|
| Center Contact | Gold |
| Body | Silver |

CONFIDENTIAL/PROPRIETARY: NEITHER THIS SPECIFICATION, NOR A PRODUCT OF THIS SPECIFICATION SHALL BE USED, COPIED, REPRODUCED OR DISCLOSED IN WHOLE OR IN PART WITHOUT THE WRITTEN CONSENT OF PIC WIRE & CABLE.