

PIC Wire & Cable

A Division of the Angelus Corporation

Ph 262-246-0500

Fax 262-246-0450

PO Box 330 Sussex, WI 53089

Connector Specification

110185

Approved

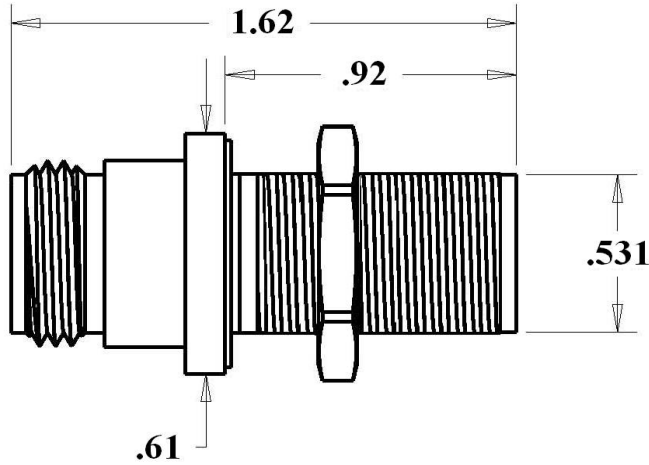


Date 08/30/10

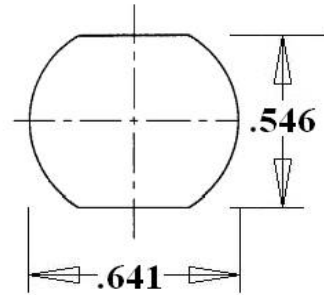
Rev 0

Distribution : USER

N Bulkhead Adapter Jack to Jack



MOUNTING HOLE



PERFORMANCE

Nominal Impedance 50 Ohms
Frequency Range DC - 11 GHz

RoHS

Complies with RoHS

Applicable Standards MIL-STD 348
MIL-C-39012

CONSTRUCTION

Materials:

Body	Brass
Mounting Nut	Brass
Bushing	Brass
Center Contact	Beryllium Copper
External Gasket	Silicone Rubber
Internal Gasket	Silastic Rubber
Insulator	Co-polymer of Styrene

Finish :

Center Contact	Silver
Body, Mounting Nut	Nickel
Bushing	Nickel

CONFIDENTIAL/PROPRIETARY: NEITHER THIS SPECIFICATION, NOR A PRODUCT OF THIS SPECIFICATION SHALL BE USED, COPIED, REPRODUCED OR DISCLOSED IN WHOLE OR IN PART WITHOUT THE WRITTEN CONSENT OF PIC WIRE & CABLE.