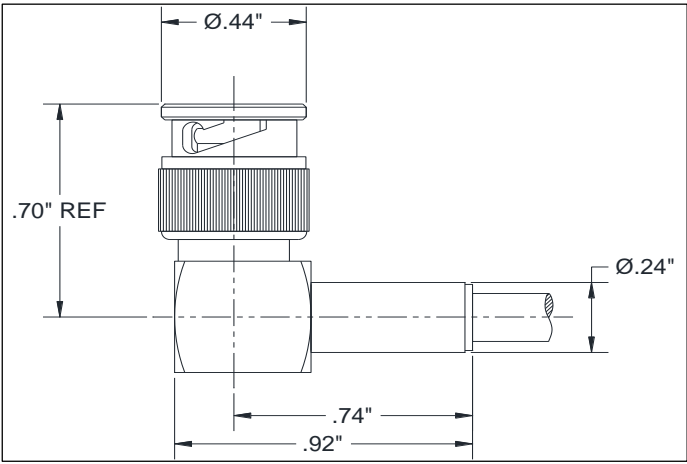


PIC Wire & Cable	Connector Specification	P/N 111069
A Division of the Angelus Corporation Ph (262) 246-0500 Fax (262) 246-0450 www.picwire.com PO Box 330 Sussex, WI 53089	Approved : <i>PFT</i>	Date : 07/08/20
	Distribution : USER	Rev. 0
		Uncontrolled if Printed

Mini-BNC 90° Plug
for V73263



PERFORMANCE

Nominal Impedance :	75 Ohms
Frequency Range :	0 - 3 GHz
Voltage Rating :	500 V(rms)
Insulation Resistance :	5000 Megohms
Insertion Loss :	$0.10 \sqrt{F(\text{GHz})}$
Temperature Rating :	-40° to +155° C

CONSTRUCTION

Materials:

Body	Phosphor Bronze
Center Contact	Brass
Ferrule	Brass
Dielectric	PTFE

CONNECTOR WEIGHT (Each)

0.48 ounces (13.61 grams)

RoHS COMPLIANT

Complies to RoHS Standards

INSTALLATION

Center Contact
Solder Only

Crimp Ferrule
M22520 / 5-01 Tool
Daniels Y248 Die Set
(.186" hex or equivalent)

Finish :

Body, Ferrule	Nickel
Center Contact	Gold

APPLICABLE STANDARDS

NOT APPLICABLE

- Notes :**
- 1) A 1.5" piece of Raychem ATUM heat shrink P/N ATUM-8/2-0 provided with connector for purpose of strain relief & moisture protection.
 - 2) Please refer to T-111069 Termination Instruction sheet for strip dimensions & instructions.