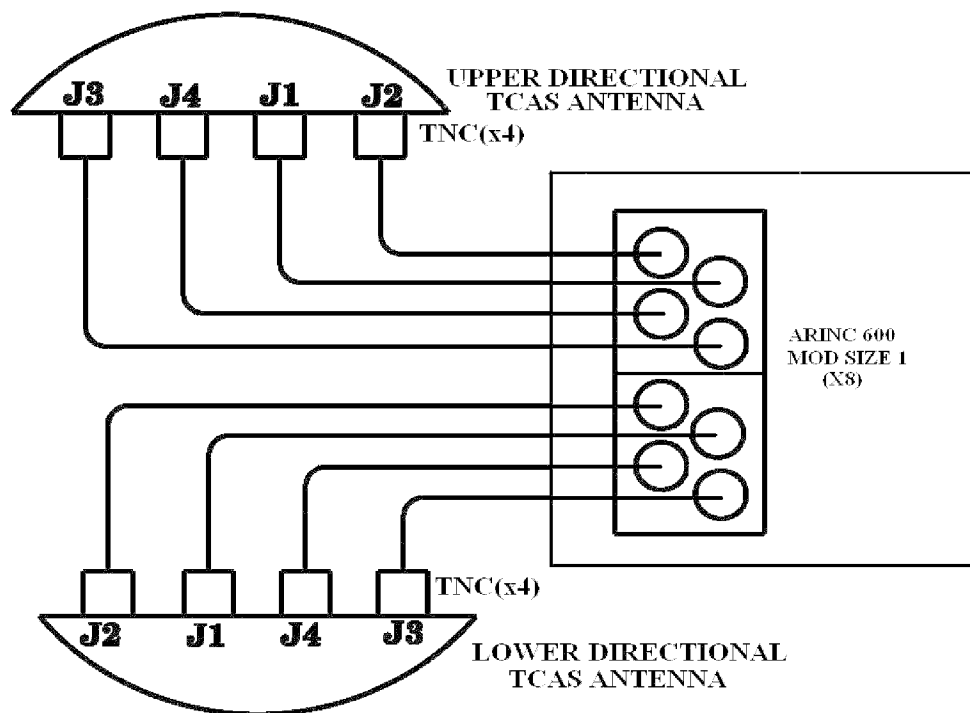


TCAS 94 TCAS RF CABLE WORKSHEET



Cable (Test) Requirements :

TTR-920 - Insertion Loss: 0 to 4.0 dB @ 1.03 GHz for each antenna run.

TTR-921 - Insertion Loss: 0 to 3.0 dB @ 1.03 GHz for each antenna run.

VSWR: 1.4:1 Max @ 1.03 GHz. for each ant. cable.

Phase-Matching: Each set of 4 ant. cables Phase-Matched within 360° of each other @ 1.09 GHz.

Electrical Time Delay: 50 nanoseconds Max between upper & lower ant. runs @ 1.09 GHz.

Note: Can be strapped for delay difference if > 50 nS.

UPPER ANT. INFO:

UPPER ANT. CABLE LENGTH : _____

CONN. ANGLE @ UPR ANT. : _____

CONN. ANGLE (TNC) @ LRU : _____

(If using ARINC 600 Mod Size 1 to TNC (F) adapter P/N 1900xx)

LOWER ANT. INFO:

LOWER ANT. CABLE LENGTH : _____

CONN. ANGLE @ LWR ANT. : _____

CONN. ANGLE (TNC) @ LRU : _____

(If using ARINC 600 Mod Size 1 to TNC (F) adapter P/N 1900xx)

LABELING: Standard labeling is P/N, S/N & connection Info.

CUSTOMER INFORMATION:

CUSTOMER : _____

CONTACT : _____

PH # : _____

DATE : _____

NEED CABLES BY : _____

NEED QUOTE BY : _____