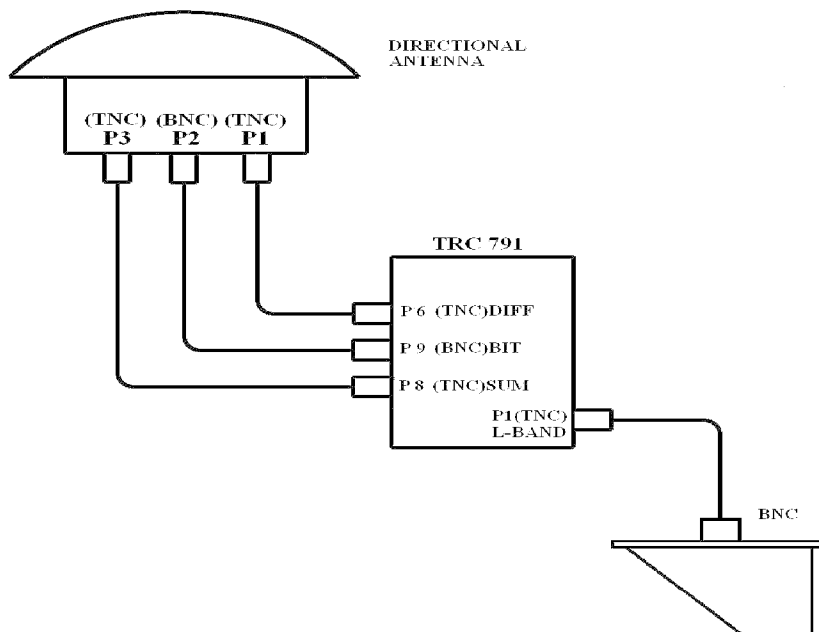
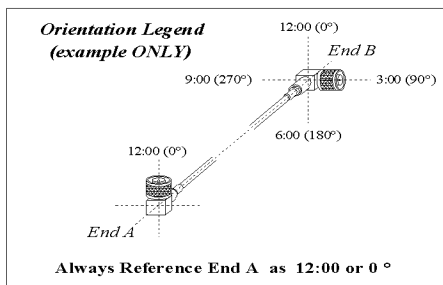


TCAS 791 TCAS 1 RF CABLE WORKSHEET



Cable (Test) Requirements :

Insertion Loss : 2.5 dB Max @ 1.03 GHz for Sum, Diff, and L-Band ant. cables,
 6.0 dB Max @ 1.03 GHz for the Bit ant. cable.
 VSWR : 1.5:1 max @ 1.03 GHz for each ant. cable.



UPPER ANT. INFO:

UPPER ANT. CABLE LENGTH : _____

CONN. ANGLE @ UPR ANT. : _____

CONN. ANGLE @ LRU : _____

*CONNECTOR ORIENTATION: _____

LOWER ANT. INFO:

LOWER ANT. CABLE LENGTH : _____

CONN. ANGLE @ LWR ANT. : _____

CONN. ANGLE @ LRU : _____

*CONNECTOR ORIENTATION: _____

LABELING: Standard labeling is P/N, S/N & connection Info.

***Connector Orientation**

(Assemblies ≤ 20 ft with (2) 90° Connectors)
 Configuration Depicted : End B is 3:00 or 90° from end A.

CUSTOMER INFORMATION:

CUSTOMER : _____

CONTACT : _____

PH # : _____

DATE : _____

NEED CABLES BY : _____

NEED QUOTE BY : _____