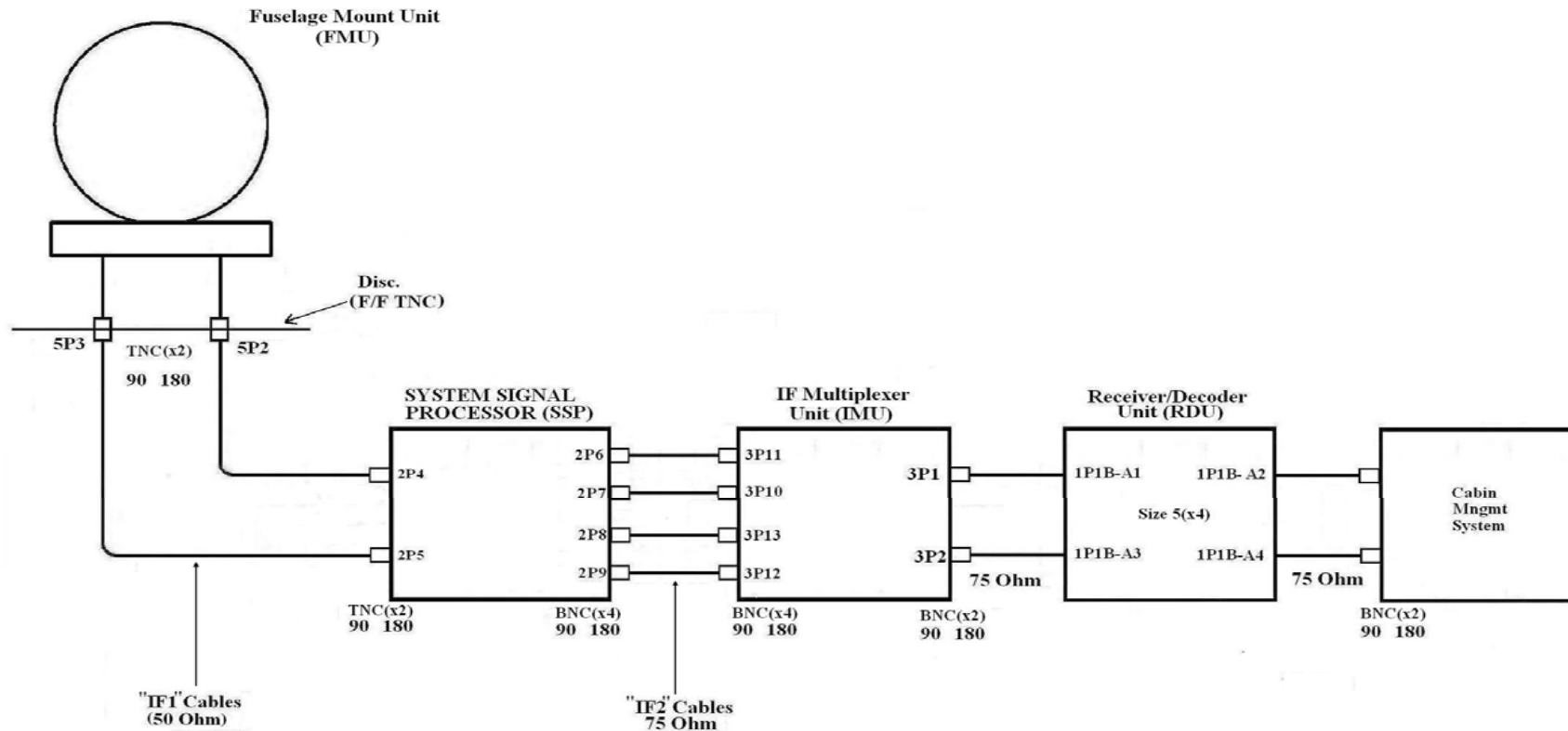


# TAILWIND 550 RF CABLE WORKSHEET



**Cable length - FMU to SSP :** \_\_\_\_\_

**Cable length - SSP to IMU :** \_\_\_\_\_

**Cable length - IMU to RDU :** \_\_\_\_\_

**Cable length - RDU to CMS:** \_\_\_\_\_

**Conn Angles -** Circle the desired conn angles above (90 or 180).

**Cable (Test) Requirements :**

**FMU to SSP (IF1)** Insertion loss: 12 dB min, 18 dB max from 3.45 - 5.5 GHz.  
 VSWR: 2.1:1 max for each cable

**SSP to IMU (IF2)** Insertion loss: 10 dB min, 14 dB max @ 950 - 2150 MHz.  
 VSWR: 2.1:1 max for each cable

Use DC passing attenuators as necessary to meet loss budgets.

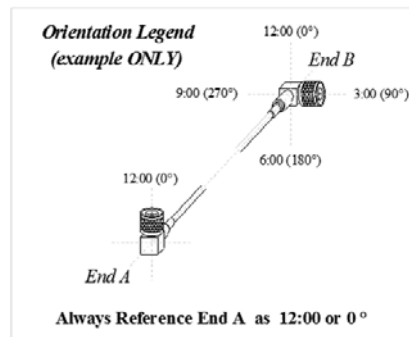
**IMU to RDU (RG-6)** Insertion Loss: Document @ 3.58 MHz.  
 VSWR: Document @ 3.58 MHz.

**RDU to CMS (RG-17)** Insertion Loss: Document @ 3.58 MHz.  
 VSWR: Document @ 3.58 MHz.

**LABELING:** Standard labeling is P/N, S/N & connection Info.

**Connector Orientation**

(Assemblies  $\leq$  20 ft with (2) 90° Connectors)  
 Configuration Depicted below : End B is **3:00** or **90°** from end A.



**CUSTOMER INFORMATION:**

**CUSTOMER :** \_\_\_\_\_

**CONTACT :** \_\_\_\_\_

**PH # :** \_\_\_\_\_

**DATE :** \_\_\_\_\_

**NEED CABLES BY :** \_\_\_\_\_

**NEED QUOTE BY :** \_\_\_\_\_