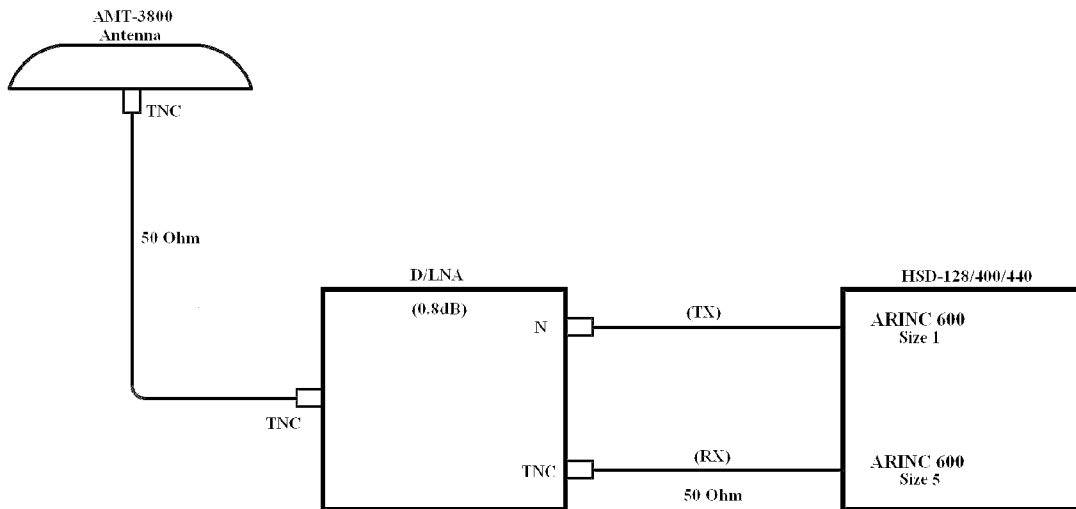


HSD-128/400/440 RF CABLE WORKSHEET

(WITH AMT-3800 ANT SUBSYSTEM)



ANT. to D/LNA INFO:

ANTENNA CABLE LENGTH : _____

CONN. ANGLE @ ANT. : _____

CONN. ANGLE @ D/LNA : _____

CONN. ORIENTATION : _____

D/LNA TO HSD INFO:

CABLE LENGTH : _____

CONN. ANGLE @ D/LNA : _____

LABELING: Standard Labeling is P/N, S/N and connection Info.

Cable (Test) Requirements :

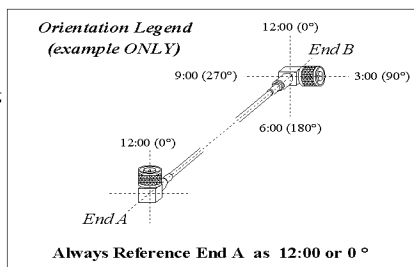
ANT to DL Insertion loss: 0.3 dB max from 1626 to 1660 MHz.
VSWR: 1.5:1 max over the frequency range.

D/LNA to H Insertion loss - TX cable : 1.4 dB max from 1626 to 1660 MHz.
Insertion loss - RX cable : Between 6 & 25 dB from 1530 to 1559 MH.
VSWR: 1.5:1 max for each cable over the respective frequency range

Connector Orientation

(Assemblies \leq 20 ft with (2) 90° Connectors)

Configuration Depicted : End B is **3:00** or **90°** from end A.



CUSTOMER INFORMATION:

CUSTOMER : _____

CONTACT : _____

PH # : _____

DATE : _____

NEED CABLES BY : _____

NEED QUOTE BY : _____