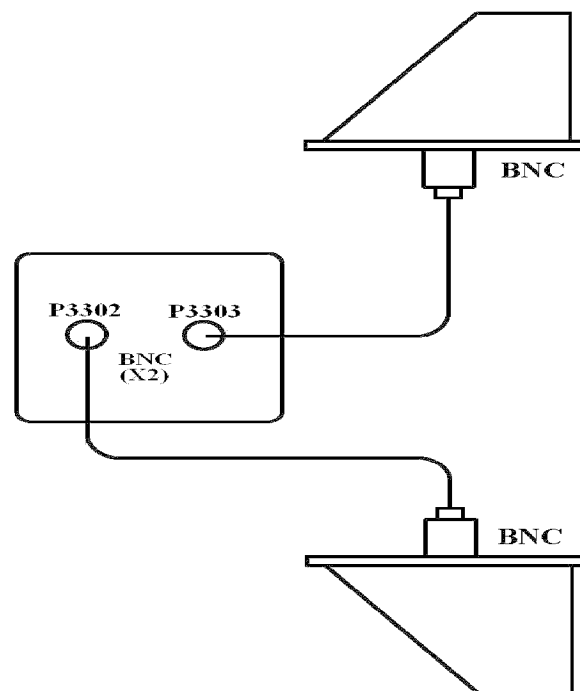


GTX-330D MODE-S RF CABLE WORKSHEET



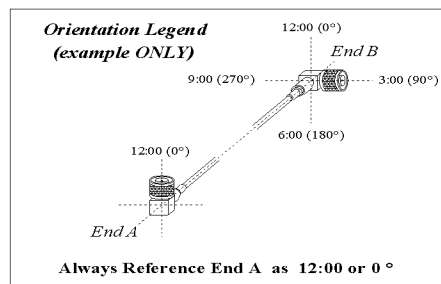
Cable (Test) Requirements :

Insertion Loss : 1.5 dB Max @ 1.09 GHz for each ant. cable and
0.1 dB Max difference between upr & lwr antenna cables.
VSWR : 1.5:1 max @ 1.09 GHz for each ant. cable.

Connector Orientation

(Assemblies \leq 20 ft with (2) 90° Connectors)

Configuration Depicted : End B is **3:00 or 90°** from end A.



UPPER ANT. INFO:

UPPER ANT. CABLE LENGTH : _____

CONN. ANGLE @ UPR ANT. : _____

CONN. ANGLE @ LRU : _____

CONNECTOR ORIENTATION: _____

LOWER ANT. INFO:

LOWER ANT. CABLE LENGTH : _____

CONN. ANGLE @ LWR ANT. : _____

CONN. ANGLE @ LRU : _____

CONNECTOR ORIENTATION: _____

LABELING: Standard Labeling is P/N, S/N and connection Info.

CUSTOMER INFORMATION:

CUSTOMER : _____

CONTACT : _____

PH # : _____

DATE : _____

NEED CABLES BY : _____

NEED QUOTE BY : _____