

PIC Wire & Cable

A Division of the Angelus Corporation
 Ph (262) 246-0500 Fax (262) 246-0450 www.picwire.com
 PO Box 330 Sussex, WI 53089

Connector SpecificationApproved : 

Distribution : USER

P/N 190829

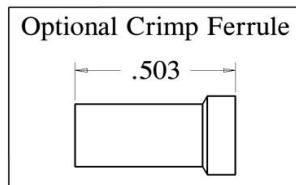
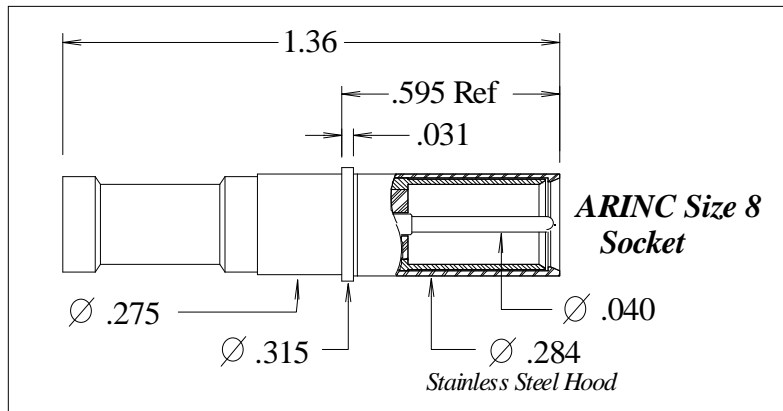
Date : 10/22/01

Rev. 4 (03/14/17)

Uncontrolled if Printed

ARINC Size 8 Coaxial Socket Contact

for PIC Cables S83204, S86208, S88207

**PERFORMANCE**

Nominal Impedance	50 Ohms
Frequency Range	0 - 5 GHz
Voltage Rating	350 VRMS
Insulation Resistance	5000 Megohms

CONNECTOR WEIGHT (Each)

0.21 ounces (6.12 grams)

RoHS COMPLIANT

Complies to RoHS Standards

INSTALLATION**Center Contact**

M22520 / 2 - 01 Tool,
 Selector Dial @ # 6
 Recommended Positioner :
 PIC # 110257 (Daniels # K1448)

Weatherproofing Crimp Ferrule

M22520 / 5 - 01 Tool,
 PIC 190818 Hex Crimp Die
 (.186/.222 hex)

Optional Crimp Ferrule

M22520 / 5-01 Tool,
 *MIL Spec M22520 / 5-09
 (.178 A hex)

CONSTRUCTION**Materials:**

Body	Beryllium Copper, ASTM-B196, Alloy UNS C17300
Outer Hood	Stainless Steel, ASTM-A582, Alloy UNS S30300
Center Contact	Brass, ASTM-B16, Alloy UNS 36000, H02
Ferrule	Brass, ASTM-B16, Alloy UNS 36000, Dead Soft, Weatherseals included
Dielectric	TFE Fluorocarbon, ASTM-D1710, Type 1, Grade 1

Finish :

Body, Ferrule	Gold
Center Contact	Gold
Outer Hood	Passivated Stainless

APPLICATIONS**ARINC INSERTS****Notes :**

1) Please refer to T-1908XX Termination Instruction sheet for strip dimensions & instructions.

2) Removal Tool P/N M81969/14-12

* Note - MIL Spec die to be used on smaller diameter area of "optional" crimp ferrule only. Not the larger "Bell" area on end.