
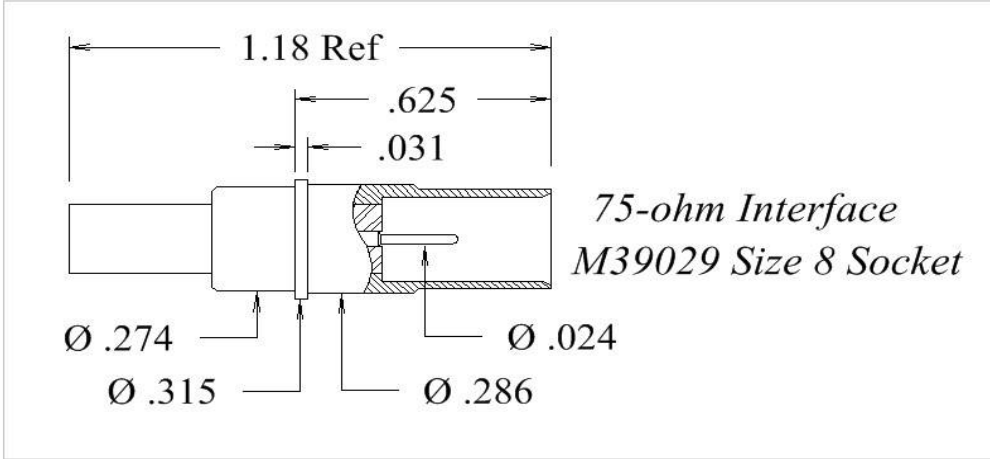


PIC Wire & Cable	Connector Specification	P/N 190741
<i>A Division of the Angelus Corporation</i> Ph (262) 246-0500 Fax (262) 246-0450 www.picwire.com PO Box 330 Sussex, WI 53089	Approved : 	Date : 09/03/09
	Distribution : USER	Rev. 5 (03/14/17)
		Uncontrolled if Printed

75-ohm Interface M39029 Size 8 Coaxial Socket
for V73263, V75268, V76261



PERFORMANCE

Nominal Impedance	75 Ohms
Frequency Range	0 - 4 GHz
Voltage Rating	325 VRMS
Insulation Resistance	5000 Megohms

CONNECTOR WEIGHT (Each)

0.21 ounces (5.90 grams)

RoHS COMPLIANT

Complies to RoHS Standards

INSTALLATION

Crimp Tooling:

<i>Center Contact</i>	M22520 / 2 - 01 Tool, Selector Dial @ 3 Recommended Positioner : PIC 110546 (DMC K1759)
<i>Crimp Ferrule</i>	M22520 / 5 - 01 Tool, Daniels # Y187 Hex Crimp Die (.156" hex)

CONSTRUCTION

<i>Materials:</i>	
Body	Beryllium Copper, ASTM-B196, Alloy UNS C17300
Center Contact	Beryllium Copper, ASTM-B196, Alloy UNS C17300
Ferrule	Brass, ASTM-B16, Alloy UNS 36000, Dead Soft,
Dielectric	TFE Fluorocarbon, ASTM-D1710, Type 1, Grade 1

Finish :

Body, Ferrule	Gold
Center Contact	Gold

APPLICATIONS

MIL-C-38999 Series I, III, IV

Notes :

- 1) Please refer to T-1907XX Termination Instruction sheet for strip dimensions & instructions.
- 2) Removal Tool P/N M81969/14-12

**CAUTION : Approved for use ONLY with mating
 75 Ohm Interface M39029 Size 8 Pins :
 PIC # 190740, 190740-01,
 PIC # 190940, 190940-01**