

PIC Wire & Cable

A Division of the Angelus Corporation
 Ph (262) 246-0500 Fax (262) 246-0450 www.picwire.com
 PO Box 330 Sussex, WI 53089

Connector Specification

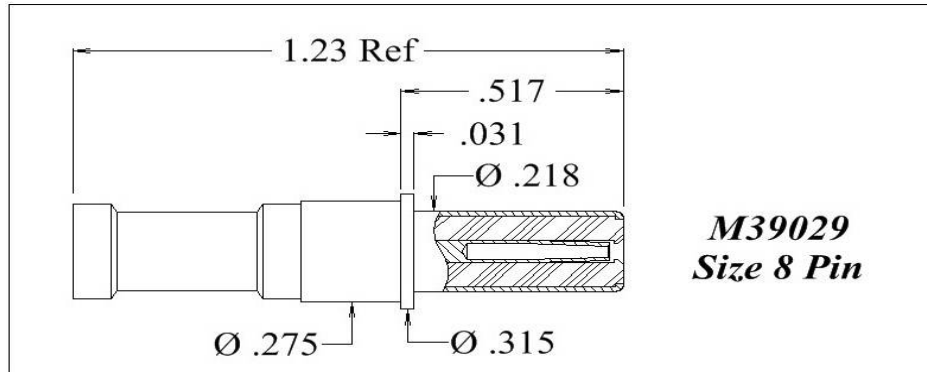
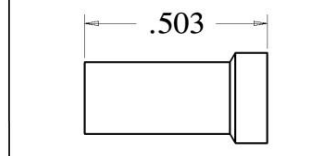
Approved : *MCS*
 Distribution : USER

P/N 190738

Date : 11/15/05
 Rev. 5 (03/13/17)
 Uncontrolled if Printed

M39029 SIZE 8 PIN CONTACT

for V73263, V75268, V76261

**Optional Crimp Ferrule****PERFORMANCE**

Nominal Impedance	50 Ohms
Frequency Range	0 - 2 GHz
Voltage Rating	325 VRMS
Insulation Resistance	5000 Megohms

CONNECTOR WEIGHT (Each)

0.18 ounces (5.10 grams)

RoHS COMPLIANT

Complies to RoHS Standards

INSTALLATION**Center Contact**

M22520 / 2 - 01 Tool,
 Selector Dial @ # 6
 Recommended Positioner :
 PIC # 110369

Weatherproofing Crimp Ferrule

M22520 / 5 - 01 Tool,
 PIC 190818 Hex Crimp Die
 (.186/.222 hex)

Optional Crimp Ferrule

M22520 / 5-01 Tool,
 *MIL Spec M22520 / 5-41
 (.178 "B" hex)

CONSTRUCTION**Materials:**

Body	Brass, ASTM-B16, Alloy UNS 36000, H02
Center Contact	Beryllium Copper, ASTM-B196, Alloy UNS C17300
Ferrule	Brass, ASTM-B16, Alloy UNS 36000, Dead Soft, Weatherseals included
Dielectric	TFE Fluorocarbon, ASTM-D1710, Type 1, Grade 1

Finish :

Body, Ferrule	Gold
Center Contact	Gold

APPLICATIONS

MIL-C-39029/60
 MIL-C-38999, Series I, III, IV

Notes :

1) Please refer to T-1907XX Termination Instruction sheet for strip dimensions & instructions.

2) Removal Tool P/N M81969/14-12

* Note - MIL Spec die to be used on smaller diameter area of "optional" crimp ferrule only. Not the larger "Bell" area on end.