
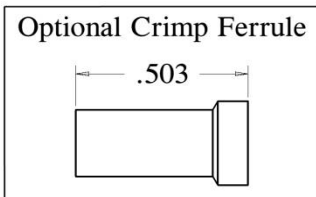
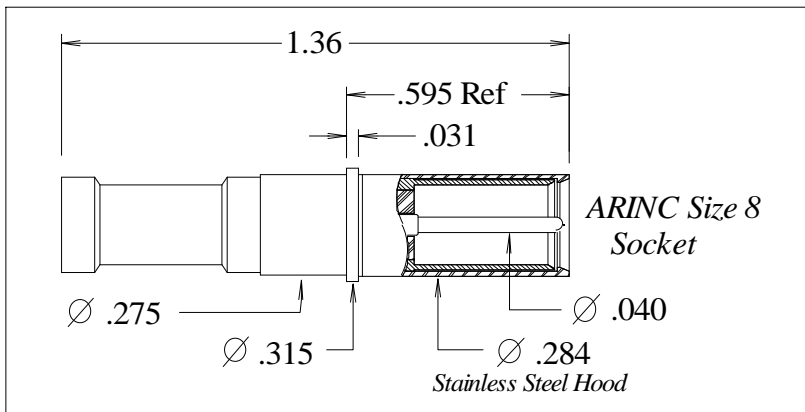


PIC Wire & Cable	Connector Specification	P/N 190729
A Division of the Angelus Corporation Ph (262) 246-0500 Fax (262) 246-0450 www.picwire.com PO Box 330 Sussex, WI 53089	Approved : 	Date : 09/11/02
	Distribution : USER	Rev. 5 (03/13/17)
		Uncontrolled if Printed

ARINC 600 SIZE 8 SOCKET CONTACT

for V75268, V76261, V73263



PERFORMANCE

Nominal Impedance	50 Ohms
Frequency Range	0 - 2 GHz
Voltage Rating	350 VRMS
Insulation Resistance	5000 Megohms

CONNECTOR WEIGHT (Each)

0.25 ounces (7.09 grams)

RoHS COMPLIANT

Complies to RoHS Standards

INSTALLATION

Center Contact

M22520 / 2 - 01 Tool,
Selector Dial @ # 6
Recommended Positioner :
PIC # 110257 (Daniels # K1448)

Weatherproofing Crimp Ferrule

M22520 / 5 - 01 Tool,
PIC 190818 Hex Crimp Die
(.186/.222 hex)

Optional Crimp Ferrule

M22520 / 5-01 Tool,
*MIL Spec M22520 / 5-41
(.178 "B" hex)

* Note - MIL Spec die to be used on smaller diameter area of "optional" crimp ferrule only. Not the larger "Bell" area on end.

CONSTRUCTION

Materials:

Body	Beryllium Copper, ASTM-B196, Alloy UNS C17300
Outer Hood	Stainless Steel, ASTM-A582, Alloy UNS S30300
Center Contact	Brass, ASTM-B16, Alloy UNS 36000, H02
Ferrule	Brass, ASTM-B16, Alloy UNS 36000, Dead Soft, Weatherseals included
Dielectric	TFE Fluorocarbon, ASTM-D1710, Type 1, Grade 1

Finish :

Body, Ferrule	Gold
Center Contact	Gold
Outer Hood	Passivated Stainless

APPLICATIONS

ARINC 600

Notes :

- 1) Please refer to T-1907XX Termination Instruction sheet for strip dimensions & instructions.
- 2) Removal Tool P/N M81969/14-12