
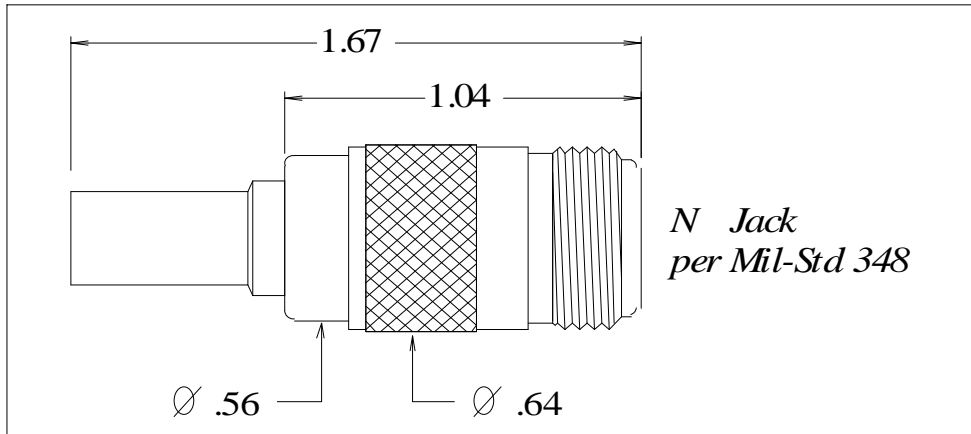


| | | |
|--|--|-------------------------|
| PIC Wire & Cable | Connector Specification | P/N 190524A |
| A Division of the Angelus Corporation Ph (262) 246-0500 Fax (262) 246-0450 www.picwire.com PO Box 330 Sussex, WI 53089 | Approved :  | Date : 10/30/03 |
| | Distribution : USER | Rev. 3 (04/05/16) |
| | | Uncontrolled if Printed |

N In-Line Straight Jack
for S65161, S65161-A



PERFORMANCE

| | |
|-----------------------|--------------|
| Nominal Impedance | 50 Ohms |
| Frequency Range | 0 - 12 GHz |
| Voltage Rating | 1000 VRMS |
| Insulation Resistance | 5000 Megohms |

CONNECTOR WEIGHT (Each)

1.25 oz. (35.4 grams)

RoHS COMPLIANT

Complies to RoHS Standards

INSTALLATION

Pic Die Set

Center Contact

M22520 / 5 - 01 Tool,
PIC 190518A Hex Crimp Die
(.098 hex)

Crimp Ferrule

M22520 / 5 - 01 Tool,
*PIC 190518A Hex Crimp Die
(.270/.340 hex)

MIL Spec Die Set

Center Contact

M22520 / 5-01 Tool,
MIL Spec *M22520 / 5-57
(.100 B hex)

Crimp Ferrule

M22520 / 5-01 Tool,
MIL Spec *M22520 / 5-43
(.268 A hex)

CONSTRUCTION

Materials:

| | |
|----------------|--|
| Body | Brass, ASTM-B16, Alloy UNS 36000, H02 |
| Center Contact | Beryllium Copper, ASTM-B196, Alloy UNS C17300 |
| Ferrule | Brass, ASTM-B16, Alloy UNS 36000, Dead Soft, Weatherseals included |
| Dielectric | TFE Fluorocarbon, ASTM-D1710, Type 1, Grade 1 |

Finish :

| | |
|----------------|--------|
| Body, Ferrule | Nickel |
| Center Contact | Gold |

Applicable Standards

MIL-STD 348
MIL-PRF-39012

Notes :

- 1) A 2.5" piece of Raychem ATUM heat shrink P/N ATUM-16/4-0 provided with connector for purpose of strain relief & moisture protection.
- 2) Please refer to T-1905XXA Termination Instruction sheet for strip dimensions & instructions.

* Note - MIL Spec die to be used on the smaller diameter area of ferrule only. Not the larger "Bell" area on end.