
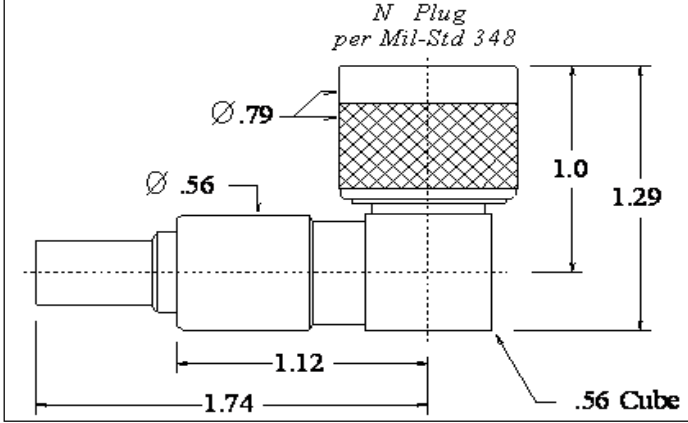


PIC Wire & Cable	Connector Specification	P/N 190511
A Division of the Angelus Corporation Ph (262) 246-0500 Fax (262) 246-0450 www.picwire.com PO Box 330 Sussex, WI 53089	Approved : 	Date 06/09/97
	Distribution : USER	Rev. 6 (06/18/14)
		Uncontrolled Document

N 90° Plug
for S67163



Features Not Shown : Safety Wire Holes, Gasket in Front

PERFORMANCE

Nominal Impedance	50 Ohms
Frequency Range	0 - 12 GHz
Voltage Rating	1000 VRMS
Insulation Resistance	5000 Megohms

CONNECTOR WEIGHT (Each)

2.32 ounces (65.77 grams)

RoHS COMPLIANT

Complies to RoHS Standards

INSTALLATION

Pic Die Set

Center Contact
M22520 / 5 - 01 Tool,
*PIC 190518A Hex Crimp Die
(.098 hex)

Crimp Ferrule

M22520 / 5 - 01 Tool,
*PIC 190518A Hex Crimp Die
(.270/.340 hex)

MIL Spec Die Set

Center Contact
M22520 / 5-01 Tool,
MIL Spec *M22520 / 5-57
(.100 B hex)

Crimp Ferrule

M22520 / 5-01 Tool,
MIL Spec *M22520 / 5-43
(.268 A hex)

CONSTRUCTION

Materials:

Body	Brass, ASTM-B16, Alloy UNS 36000, H02
Center Contact	Beryllium Copper, ASTM-B196, Alloy UNS C17300
Ferrule	Brass, ASTM-B16, Alloy UNS 36000, Dead Soft, Weatherseals included
Dielectric	TFE Fluorocarbon, ASTM-D1710, Type 1, Grade 1

Finish :

Body, Ferrule	Nickel
Center Contact	Gold

Applicable Standards

MIL-STD 348
MIL-PRF-39012

Notes :

- 1) A 2.5" piece of Raychem ATUM heat shrink P/N ATUM-16/4-0 provided with connector for purpose of strain relief & moisture protection.
- 2) Please refer to T-190XXX Termination Instruction sheet for strip dimensions & instructions.

* Notes: 1. PIC 190518 Crimp Die Set superceded by PIC 190518A; either is acceptable for use with 190511 Connectors.
2. MIL Spec die to be used on the smaller diameter area of ferrule only. Not the larger "Bell" area on end.