
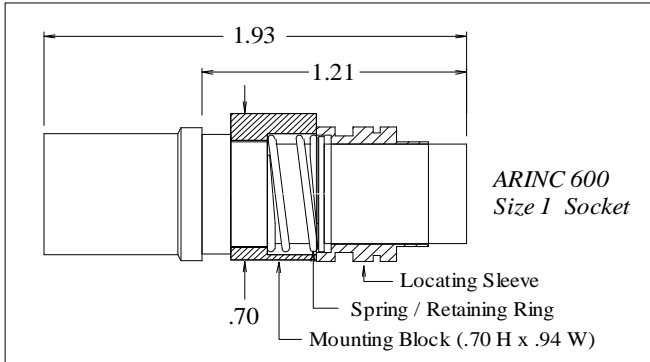
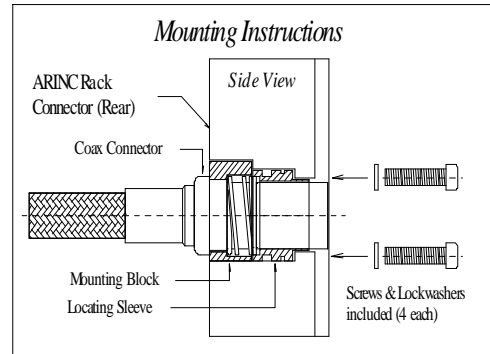


PIC Wire & Cable	Connector Specification	P/N 190401
A Division of the Angelus Corporation Ph (262) 246-0500 Fax (262) 246-0450 www.picwire.com PO Box 330 Sussex, WI 53089	Approved : 	Date 09/01/95
	Distribution : USER	Rev. 5 (06/17/14)
		Uncontrolled Document

ARINC 600 Size 1 Socket
for S22089



Features Not Shown : Mounting Screws (4 ea), Lockwashers (4 ea)



PERFORMANCE

Nominal Impedance	50 Ohms
Frequency Range	0 - 5 GHz
Voltage Rating	1000 VRMS
Insulation Resistance	5000 Megohms

CONNECTOR WEIGHT (Each)

1.49 ounces (42.24 grams)

RoHS COMPLIANT

Complies to RoHS Standards

INSTALLATION

Pic Die Set	MIL Spec Die Set
<i>Center Contact</i>	<i>Center Contact</i>
M22520 / 5 - 01 Tool, PIC 190418 Hex Crimp Die (.132 hex)	M22520 / 5-01 Tool, MIL Spec *M22520 / 5-04 (.138 A hex)
<i>Crimp Ferrule</i>	<i>Crimp Ferrule</i>
M22520 / 5 - 01 Tool, PIC 190418 Hex Crimp Die (.525/.562 hex)	M22520 / 5-01 Tool, MIL Spec *M22520 / 5-27 (.532 A hex)

CONSTRUCTION

Materials:

Body	Brass, ASTM-B16, Alloy UNS 36000, H02
Center Contact	Beryllium Copper, ASTM-B196, Alloy UNS C17300
Ferrule	Brass, ASTM-B16, Alloy UNS 36000, Dead Soft, Weatherseals included
Dielectric	TFE Fluorocarbon, ASTM-D1710, Type 1, Grade 1
Spring, Retaining Ring	Stainless Steel
Mounting Block	Aluminum, Alloy 6061 T6
Locating Sleeve	Brass, ASTM-B16, Alloy UNS 36000, H02

Finish :

Body, Ferrule, Sleeve	Gold
Center Contact	Gold
Spring, Retaining Ring	Passivated
Mounting Block	Iridite

Applicable Standards ARINC 600

Notes :

- 1) A 1.5" piece of Raychem ATUM heat shrink P/N ATUM-19/6-0 provided with connector for purpose of strain relief & moisture protection.
- 2) Please refer to T-190XXX Termination Instruction sheet for strip dimensions & instructions.

* Note - MIL Spec die to be used on the smaller diameter area of ferrule only. Not the larger "Bell" area on end.

PIC Wire & Cable Connector User specification sheets are non-controlled documents. Please contact PIC Wire and Cable or visit the PIC website (www.picwire.com) to ensure the latest revision of the drawing is being viewed.