
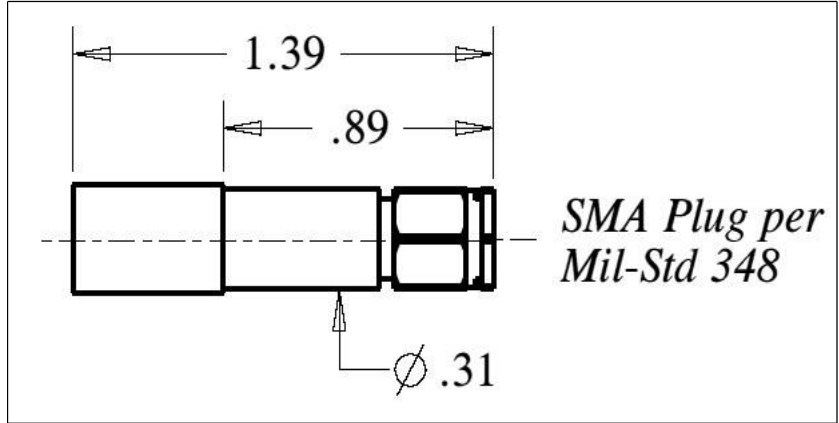


PIC Wire & Cable	Connector Specification	P/N 150514
<i>A Division of the Angelus Corporation</i> Ph (262) 246-0500 Fax (262) 246-0450 www.picwire.com PO Box 330 Sussex, WI 53089	Approved : 	Date : 03/02/15
	Distribution : USER	Rev. 3 (02/15/17)
		Uncontrolled if Printed

SMA (50 Ohm) Straight Plug
for UH67163



Features Not Shown : Safety Wire Holes, Gasket in Front

PERFORMANCE

Nominal Impedance :	50 Ohms
Frequency Range :	0 - 12 GHz
Voltage Rating :	500 V(rms)
Insulation Resistance :	5000 Megohms min.
Insertion Loss :	0.06 $\frac{dB}{\sqrt{F(GHz)}}$

CONNECTOR WEIGHT (Each)

0.37 ounces (10.43 grams)

RoHS COMPLIANT

Complies to RoHS Standards

INSTALLATION

Center Contact

Solder Only

Crimp Ferrule

M22520 / 5-01 Tool
M22520 / 5-41 Die Set
(.290" A hex)

CONSTRUCTION

Materials:

Body	Stainless Steel, ASTM-A582, Alloy UNS S30300
Cable Contact	Beryllium Copper, ASTM-B196, Alloy UNS C17300
Ferrule	Brass, ASTM-B16, Alloy UNS 36000, Dead Soft,
Dielectric	TFE Fluorocarbon, ASTM-D1710, Type 1, Grade 1
Gasket	Silicone Rubber

Finish :

Body	Passivated
Ferrule	Nickel
Center Contact	Gold

APPLICABLE STANDARDS

MIL-STD 348, MIL-PRF-39012

Notes :

- 1) A 1.5" piece of Raychem ATUM heat shrink P/N ATUM-12/3-0 provided with connector for purpose of strain relief & moisture protection.
- 2) Please refer to T-1505XX Termination Instruction sheet for strip dimensions & instructions.