
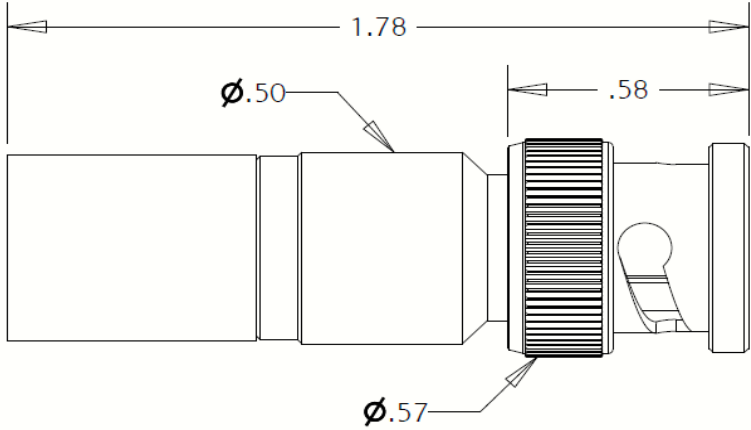


<b>PIC Wire &amp; Cable</b>	<b>Connector Specification</b>	<b>P/N 150412</b>
<i>A Division of the Angelus Corporation</i> Ph (262) 246-0500 Fax (262) 246-0450 www.picwire.com PO Box 330 Sussex, WI 53089	Approved :  Distribution : USER	Date : 10/30/18 Rev : 0 Uncontrolled if Printed

**BNC Straight Plug**  
*for UH22089*



*Features Not Shown : Interface Gasket*

**PERFORMANCE**

Nominal Impedance :	50 Ohms
Frequency Range :	0 - 4 GHz
Voltage Rating :	500 V(rms)
Insulation Resistance :	5000 Megohms
DW Voltage :	1500 V (rms)
VSWR (max) :	1.45:1
Insertion Loss (max) :	0.24 dB max @ 12 GHz
Insertion Loss :	0.12 $\sqrt{F(\text{GHz})}$

**CONNECTOR WEIGHT (Each)**

0.93 oz (26.44 grams)

**RoHS COMPLIANT**

Complies to RoHS Standards

**INSTALLATION**

**Center Contact**  
Solder Only

**Crimp Ferrule**  
M22520 / 5-01 Tool  
M22520 / 5-25 Die Set  
(.429" A hex)

**CONSTRUCTION**

<b>Materials:</b>	
Body	Brass, ASTM-B16, Alloy UNS 36000, H02
Outer Contact	Beryllium Copper, ASTM-B196, Alloy UNS C17300
Cable Contact	Brass, ASTM-B16, Alloy UNS 36000, H02
Ferrule	Brass, ASTM-B16, Alloy UNS 36000, Dead Soft, Or Copper, ASTM-B152, Alloy C12200
Dielectric	TFE Fluorocarbon, ASTM-D1710, Type 1, Grade 1
Gasket	Silicone Rubber

<b>Finish :</b>	
Body, Ferrule	Nickel
Center Contact	Gold

**APPLICABLE STANDARDS**

MIL-STD 348, MIL-PRF-39012

- Notes :**
- 1) A 2.0" piece of Raychem ATUM heat shrink P/N ATUM-16/4-0 provided with connector for purpose of strain relief & moisture protection.
  - 2) Please refer to T-1504XX Termination Instruction sheet for strip dimensions & instructions.