

PIC Wire & Cable**Connector Specification****P/N 150407***A Division of the Angelus Corporation*

Ph (262) 246-0500 Fax (262) 246-0450 www.picwire.com

PO Box 330 Sussex, WI 53089

Approved :

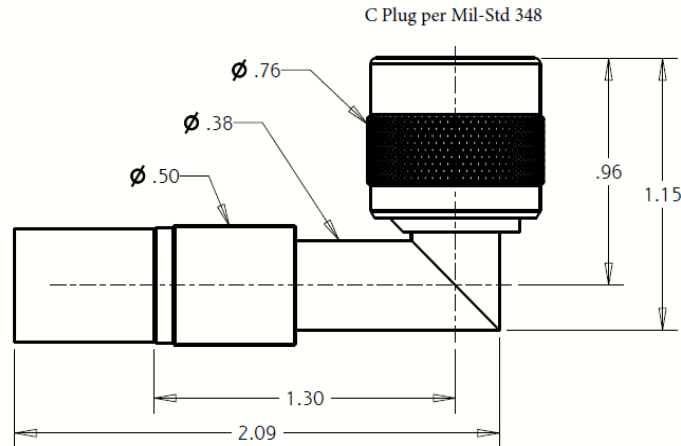
MCT

Date : 05/30/18

Rev. 0

Distribution : USER

Uncontrolled if Printed

C (50 Ohm) 90° Plug
for UH22089**PERFORMANCE**

Nominal Impedance :	50 Ohms
Frequency Range :	0 - 12 GHz
Voltage Rating :	1000 V(rms)
Insulation Resistance :	5000 Megohms min.
Insertion Loss :	$0.07 \sqrt{F(\text{GHz})}$

CONNECTOR WEIGHT (Each)

1.80 ounces (51.03 grams)

RoHS COMPLIANT

Complies to RoHS Standards

INSTALLATION**Center Contact**

Solder Only

Crimp Ferrule

M22520 / 5-01 Tool

M22520 / 5-25 Die Set

(.429" A hex)

CONSTRUCTION**Materials:**

Body	Brass, ASTM-B16, Alloy UNS 36000, H02
Connector Contact	Beryllium Copper, ASTM-B196, Alloy UNS C17300
Outer Contact	Beryllium Copper, ASTM-B196, Alloy UNS C17300
Cable Contact	Brass, ASTM-B16, Alloy UNS 36000, H02
Ferrule	Brass, ASTM-B16, Alloy UNS 36000, Dead Soft,
Dielectric	TFE Fluorocarbon, ASTM-D1710, Type 1, Grade 1
Gasket	Silicone Rubber

Finish :

Body, Ferrule	Nickel
Center Contact	Gold

APPLICABLE STANDARDS

MIL-STD 348, MIL-PRF-39012

Notes :

1) A 2.5" piece of Raychem ATUM heat shrink
P/N ATUM-16/4-0 provided with connector for
purpose of strain relief & moisture protection.

2) Please refer to T-1504XX Termination Instruction
sheet for strip dimensions & instructions.