
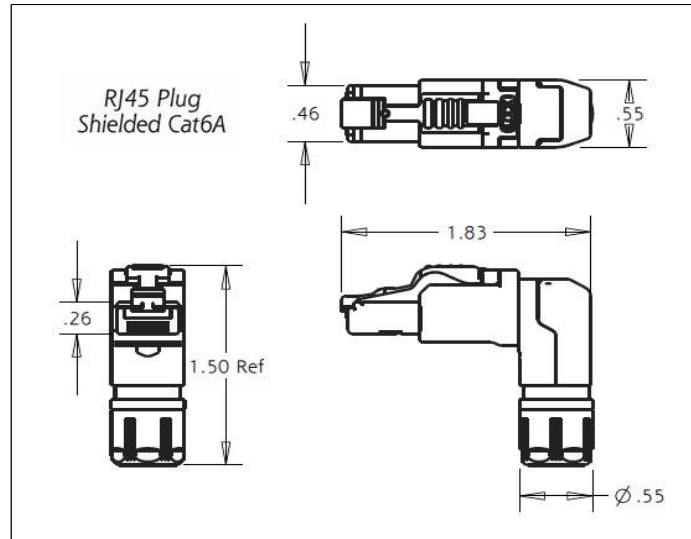


<b>PIC Wire &amp; Cable</b>	<b>Connector Specification</b>	<b>P/N 110900</b>
<i>A Division of the Angelus Corporation</i> Ph (262) 246-0500 Fax (262) 246-0450 www.picwire.com PO Box 330 Sussex, WI 53089	Approved : 	Date : 08/23/16
	Distribution : User	Rev. 0
		Uncontrolled if Printed

**90° RJ45 Plug Connector (Shielded Cat 6a)**

For conductors with an insulation OD range of 0.039" - 0.063"

(For ANSI/TIA/EIA 568B Pin-Out Termination Only)



*Not Shown ; dust cap for RJ45 (removed upon installation)*

**PERFORMANCE**

Exceeds ANSI/TIA/EIA Cat 6a

Current/Voltage: 1.0 Amps @ 30 VAC / 42 VDC

Contact Resistance: 20 milliOhms Max

**ENVIRONMENTAL**

Temperature Rating -40° C to +85° C

Insertion / Extraction 750 cycles Min

**CONNECTOR WEIGHT (Each)**

1.02 ounces (28.92 grams)

**RoHS COMPLIANT**

Complies to RoHS Standards

**REQUIRED TOOLING (2)**

PIC P/N 110701 Soft Jaw Clamping Pliers

Note: Similar Soft Jaw Pliers can be used

**Notes:**

(1) A 1.50" piece of Raychem ATUM heat shrink P/N ATUM-16/4-0 and 1.00" piece of ATUM 12/3-0 provided with connector for purpose of strain relief & moisture protection.

(2) Please refer to T-110900 Termination Instruction sheet for strip dimensions & instructions.

**CONSTRUCTION**

**Materials:**

Plug Housing	Zinc diecast
Contacts	Spring Steel
Contact Housing, Load Bar, Wire Carrier	Polycarbonate, UL 94-V0
RJ45 Latch, Hook, Strain Relief Lever, Dust Cap	Polybutylene Terephthalate, UL 94-V0
PCB	FR4, UL 94-V0
IDC Contacts	Phosphor Bronze
Shield Contact	Brass
Strain Relief (2)	ATUM Dual Wall Heat Shrink (MIL-DTL-23053/4, Class 3)

**Finish :**

Contacts	Gold
Plug Housing, Shield Contact	Nickel
IDC Contacts	Tin

**APPLICABLE STANDARDS**

ANSI/TIA-1096-A  
ANSI/TIA/EIA 568-C.2