

PIC Wire & Cable

A Division of the Angelus Corporation

Ph 262-246-0500

Fax 262-246-0450

PO Box 330 Sussex, WI 53089

Connector Specification

110581

Approved

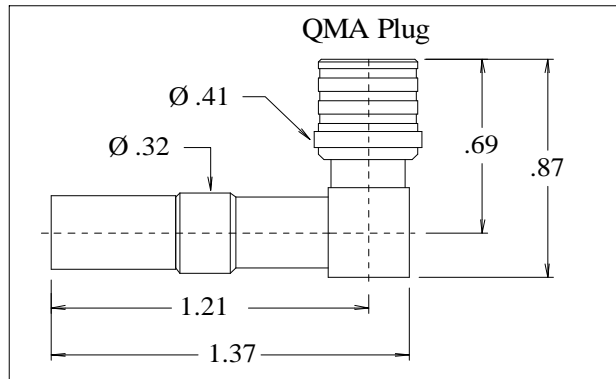
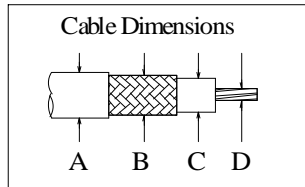


Date 03/12/10

Rev. 0

Distribution : USER

QMA 90° Plug for S67163



CABLE DIMENSIONS

A	Jacket (overall) O.D.	.225
B	Over-shields O.D.	.195
C	Dielectric O.D.	.160
D	Center conductor O.D.	.057

PERFORMANCE

Nominal Impedance	50 Ohms
Frequency Range	0 - 12.4 GHz
Voltage Rating	335 VRMS
Insulation Resistance	5000 Megohms

Force to Engage

Longitudinal	5.6 lbs nominal
Torque	NA

Strip Dimensions *tbd*

CONSTRUCTION

Materials:

Body	Brass
Center Contact	Brass, Beryllium Copper
Outer Contact	Copper Alloy, CuZn16Si2Pb (PS2)
Ferrule	Copper
Dielectric	TFE Fluorocarbon

Finish :

Body, Ferrule	Nickel
Center Contact	Gold

Includes Tyco ATUM 12/3 x 1.5" Lg. dual-wall shrink tube

INSTALLATION

Tooling:

Center Conductor	<i>tbd</i>
Crimp Ferrule	M22520 / 5 - 01 Tool, w/ M22520 / 5 - 59 Hex Crimp Die cavity A (.255" hex)

CONNECTOR WEIGHT (Each)

.53 ounces (15.1 grams)

RoHS COMPLIANT

Complies to RoHS Standards

CONFIDENTIAL/PROPRIETARY: NEITHER THIS SPECIFICATION, NOR A PRODUCT OF THIS SPECIFICATION SHALL BE USED, COPIED, REPRODUCED OR DISCLOSED IN WHOLE OR IN PART WITHOUT THE WRITTEN CONSENT OF PIC WIRE & CABLE.